

型号的阅读方法 PRODUCT NUMBER CODE

电动机 Motor

Z 5(5) D 60 - 24 GU - 30S
 ① ② ③ ④ ⑤ ⑥ ⑦

①	公司名称 Company	中大电机 ZD MOTOR			
②	机座号 Code	4	5	5(5)	6
	电机安装法兰 Mounting flange mm	□80	□90	□90	□100
	机壳直径 Case diameter	80	80	90	90
③	电机种类 Motor type	D: 永磁电机 DC motor			
④	输出功率(W) Output power (W)	例 e.g. 60:60W			
⑤	电源电压 Voltage	例 e.g. 24:24V			
⑥	转轴形状 Motor shaft type	GN: GN型齿轮轴 GN pinion shaft		GU: GU型齿轮轴 GU pinion shaft	
	A: 铣扁 Flat type	A1: 键槽型 Keyway			
⑦	电机转速 Motor speed	例 e.g. 30S:3000RPM			

备注: 如果电机需配刹车器可在型号最后加-M符号, 如Z5D60-24GU-30S-M, 刹车器电压与电机额定电压相同; 型号中电机可解读为机壳外径80mm, GU型、额定电压24VDC、额定功率60W, 额定转速3000RPM、配24VDC刹车器。

Note: We use M to symbolize the brake, such as Z5D60-24GU-30S-M, the brake voltage is the same as the rated voltage of the motor. Type of motor can be interpreted as a case diameter of 80mm, GU type, rated voltage 24VDC, rated power 60W, rated speed of 3000RPM, with brake -24VDC.

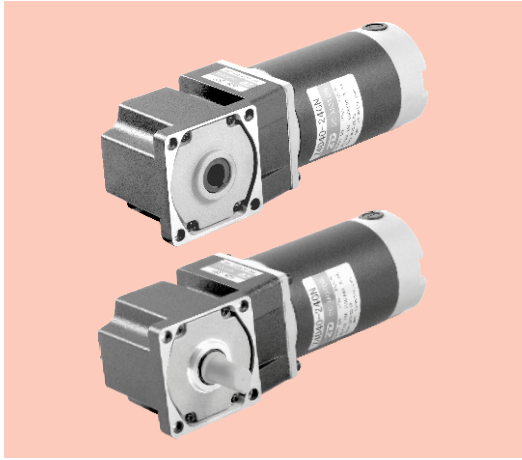
电动机 Motor

5 GN 50 RH
 ① ② ③ ④

①	减速机安装尺寸 Gearhead frame size	4 : 80mm 5 : 90mm 6 : 104mm
②	类型 Gear type	GN: GN型齿轮 GN type gear GU: GU型齿轮轴 GU type gear
③	减速比 Gear ratio	例 e.g. 50: 减速比 Reduction ratio: 50
④	输出轴类型 Type of output shaft	
	RH: 蜗轮蜗杆空心轴输出 Hollow worm shaft	
	RA: 蜗轮蜗杆实心轴输出 Worm output shaft	
	RC: 弧锥齿空心轴输出 Spiral bevel hollow shaft	
	RT: 弧锥齿实心轴输出 Spiral bevel output shaft	

弧锥直角 SPIRAL BEVEL RIGHT ANGLE

■ 40W □ 80mm



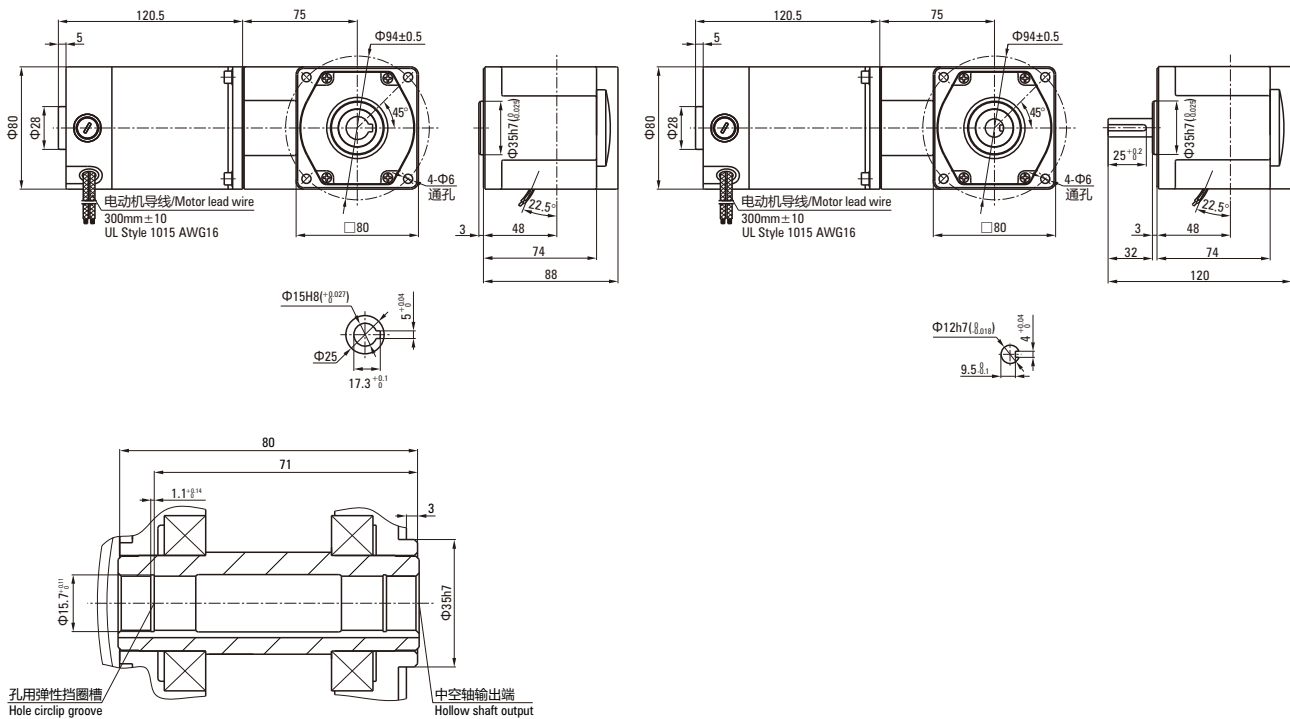
■ 装有减速器时的容许转矩 Gear Motor-torque Table

- 减速器-中间减速器另售。
Gearhead and mid-gearbox can be sold separately.
- 减速器品号的□中为减速比的数值。
Enter the reduction ratio into the blank (□) within the model name.
 - 色表示分别从电动机轴轴端和减速器轴轴端看时, 电机轴与输出轴转向反方向运转。其他则为同一方向运转。
 - 色 Indicates the opposite rotating direction between motor shaft and gearbox shaft while others are in same direction.
- 转速是以电动机的额定转速为基准除以减速比而算出来的数值。实际转速将随负载大小变化而比所示数值减少2%~20%左右。
The speed is calculated by dividing the motor's synchronous speed by the reduction ratio. The actual speed is 2%~20% less than the displayed value, depending on the size of the load.
- 希望以大于下表的减速比进行进一步减速时, 可在电动机与减速器之间安装减速比为10的中间减速器。这时的容许转矩为8N·m。
To reduce the speed beyond the gear ratio in the table, attach a mid-gearbox (gear ratio:10) between the gearhead and motor. In that case, the permissible torque is 8N·m.

■ 容许力矩单位 Allowance Torque Unit: 上段 Upside (N.m) / 下段 Belowside (kgf.cm)

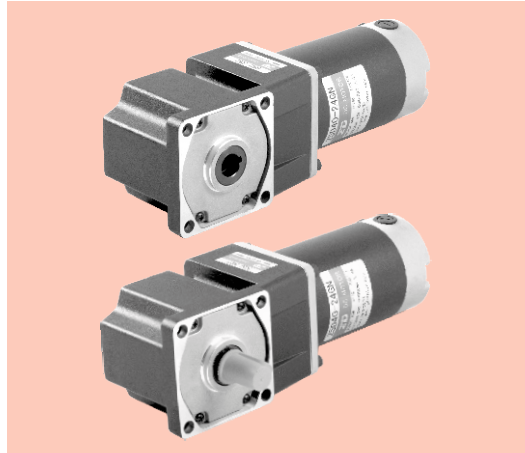
类型 Type 电动机/减速机 Motor/Gearhead	减速比 Gear Ratio	7.5	9	12.5	15	18	25	30	36	50	60	75	90	100	120	150	180
	转速 Speed r/min	400	333	240	200	166	120	100	83	60	50	40	33	30	25	20	16
Z4D40-24GN-30S	4GN□RC	0.70	0.84	1.16	1.39	1.67	2.32	2.78	3.34	4.64	5.01	6.27	7.52	80.0	80.0	80.0	80.0
	4GN□RT	7.14	8.57	11.8	14.2	17.0	23.7	28.4	34.1	47.3	51.1	64.0	76.7	80.0	80.0	80.0	80.0

■ 外形图 (单位: mm) Dimensions (Unit: mm)



弧锥直角 SPIRAL BEVEL RIGHT ANGLE

■ 40W □ 90mm



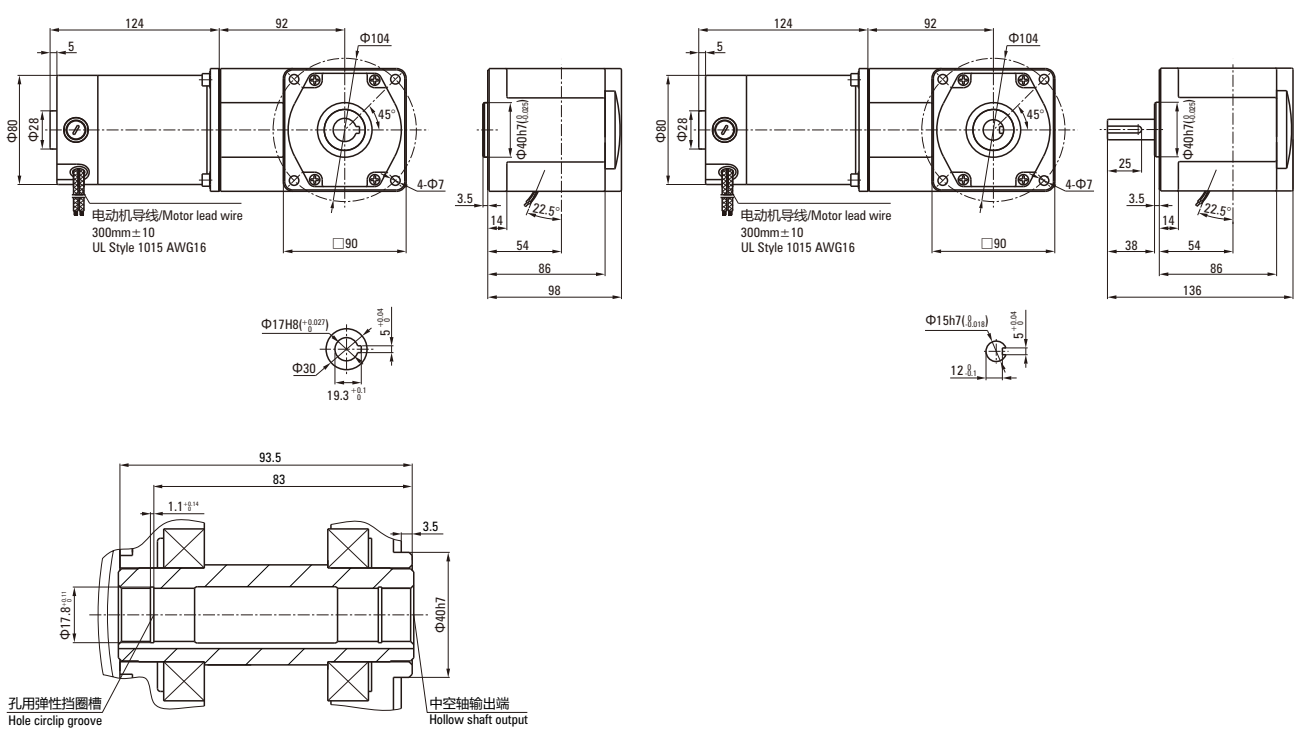
■ 装有减速器时的容许转矩 Gear Motor-torque Table

- 减速器-中间减速器另售。
Gearhead and mid-gearbox can be sold separately.
- 减速器品号的□中为减速比的数值。
Enter the reduction ratio into the blank (□) within the model name.
- 色表示分别从电动机轴轴端和减速器轴轴端看时，电机轴与输出轴转向反方向运转。其他则为同一方向运转。
□ Indicates the opposite rotating direction between motor shaft and gearbox shaft while others are in same direction.
- 转速是以电动机的额定转速为基准除以减速比而算出来的数值。实际转速将随负载大小变化而比所示数值减少2%~20%左右。
The speed is calculated by dividing the motor's synchronous speed by the reduction ratio. The actual speed is 2%~20% less than the displayed value, depending on the size of the load.
- 希望以大于下表的减速比进行进一步减速时，可在电动机与减速器之间安装减速比为10的中间减速器。这时的容许转矩为20N·m。
To reduce the speed beyond the gear ratio in the table, attach a mid-gearbox (gear ratio:10) between the gearhead and motor. In that case, the permissible torque is 20N·m.

■ 容许力矩单位 Allowance Torque Unit: 上段 Upside (N.m) / 下段 Belowside (kgf.cm)

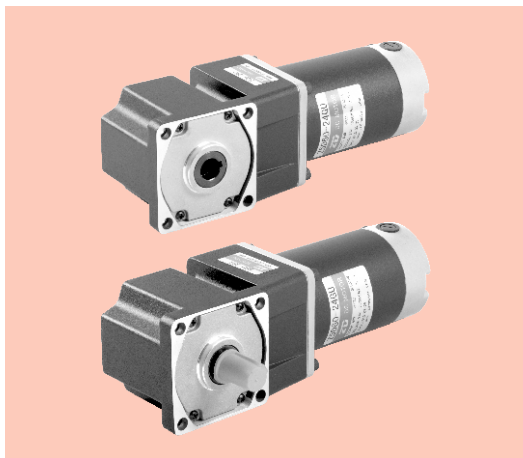
类型 Type 电动机/减速机 Motor/Gearhead	减速比 Gear Ratio	7.5	9	12.5	15	18	25	30	36	50	60	75	90	100	120	150	180
	转速 Speed r/min	373	311	224	186	155	112	93	77	56	46	37	31	28	23	18	15
Z5D40-24GU-28S	5GU□RC	0.75	0.90	1.24	1.49	1.79	2.32	2.78	3.01	4.18	5.37	6.71	8.06	8.95	10.7	13.4	16.1
	5GU□RT	7.65	9.18	12.6	15.2	18.3	23.7	28.4	30.7	42.6	54.8	68.4	82.2	91.3	109	137	164

■ 外形图 (单位: mm) Dimensions (Unit: mm)



弧锥直角 SPIRAL BEVEL RIGHT ANGLE

60W □90mm



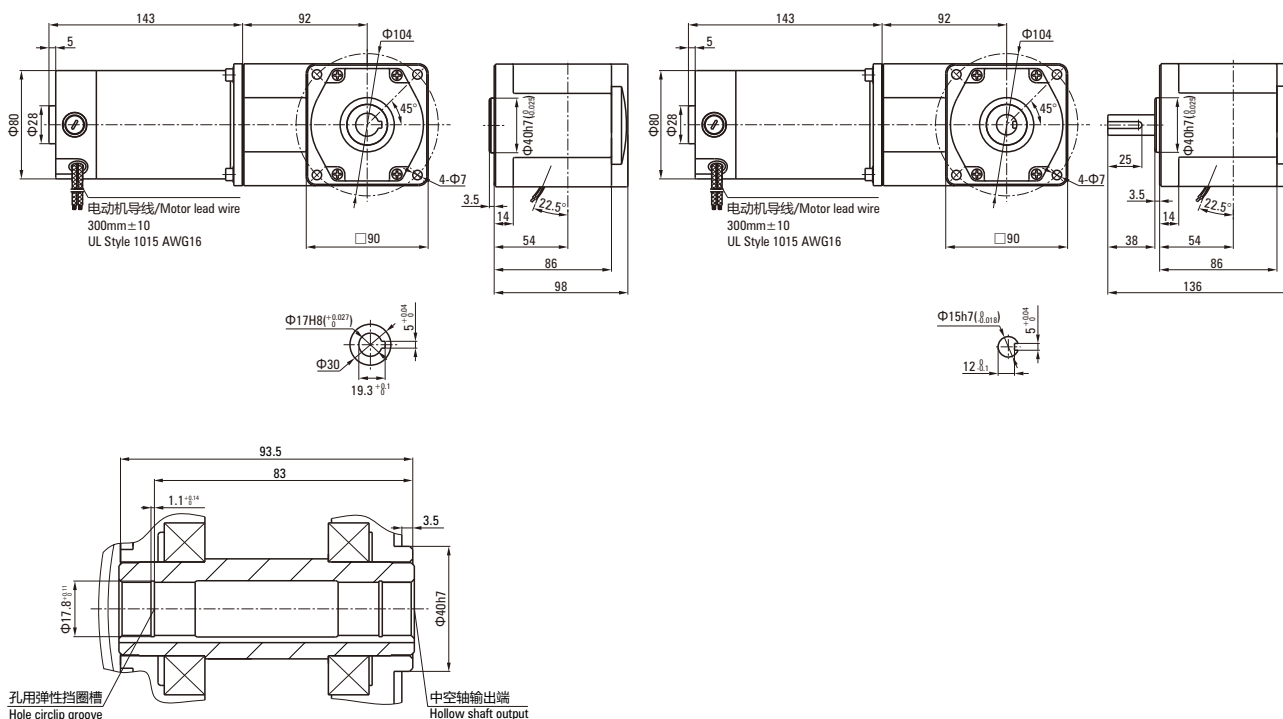
装有减速器时的容许转矩 Gear Motor-torque Table

- 减速器-中间减速器另售。
Gearhead and mid-gearbox can be sold separately.
- 减速器品号的□中为减速比的数值。
Enter the reduction ratio into the blank (□) within the model name.
 - 色表示分别从电动机轴轴端和减速器轴轴端看时, 电机轴与输出轴转向反方向运转。其他则为同一方向运转。
 - 色 Indicates the opposite rotating direction between motor shaft and gearbox shaft while others are in same direction.
- 转速是以电动机的额定转速为基准除以减速比而算出来的数值。实际转速将随负载大小变化而比所示数值减少2%~20%左右。
The speed is calculated by dividing the motor's synchronous speed by the reduction ratio. The actual speed is 2%~20% less than the displayed value, depending on the size of the load.
- 希望以大于下表的减速比进行进一步减速时, 可在电动机与减速器之间安装减速比为10的中间减速器。这时的容许转矩为20N·m。
To reduce the speed beyond the gear ratio in the table, attach a mid-gearbox (gear ratio:10) between the gearhead and motor. In that case, the permissible torque is 20N·m.

容许力矩单位 Allowance Torque Unit: 上段 Upside (N.m) / 下段 Belowside (kgf.cm)

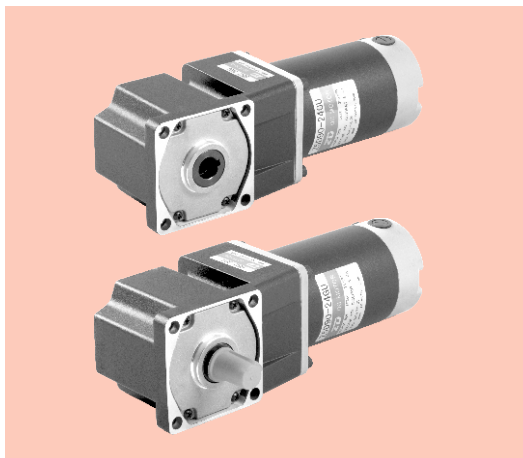
类型 Type 电动机/减速机 Motor/Gearhead	减速比 Gear Ratio	7.5	9	12.5	15	18	25	30	36	50	60	75	90	100	120	150	180
	转速 Speed r/min	373	311	224	186	155	112	93	77	56	46	37	31	28	23	18	15
Z5D60-24GU-28S	5GU□RC	1.12	1.34	1.86	2.24	2.69	3.73	4.48	4.83	6.71	8.06	10.1	12.1	13.4	16.1	20.0	20.0
	5GU□RT	11.4	13.7	19.0	22.8	27.4	38.0	45.7	49.3	68.4	82.2	103	123	137	164	200	200

外形图 (单位: mm) Dimensions (Unit: mm)



弧锥直角 SPIRAL BEVEL RIGHT ANGLE

■ 90W □ 90mm



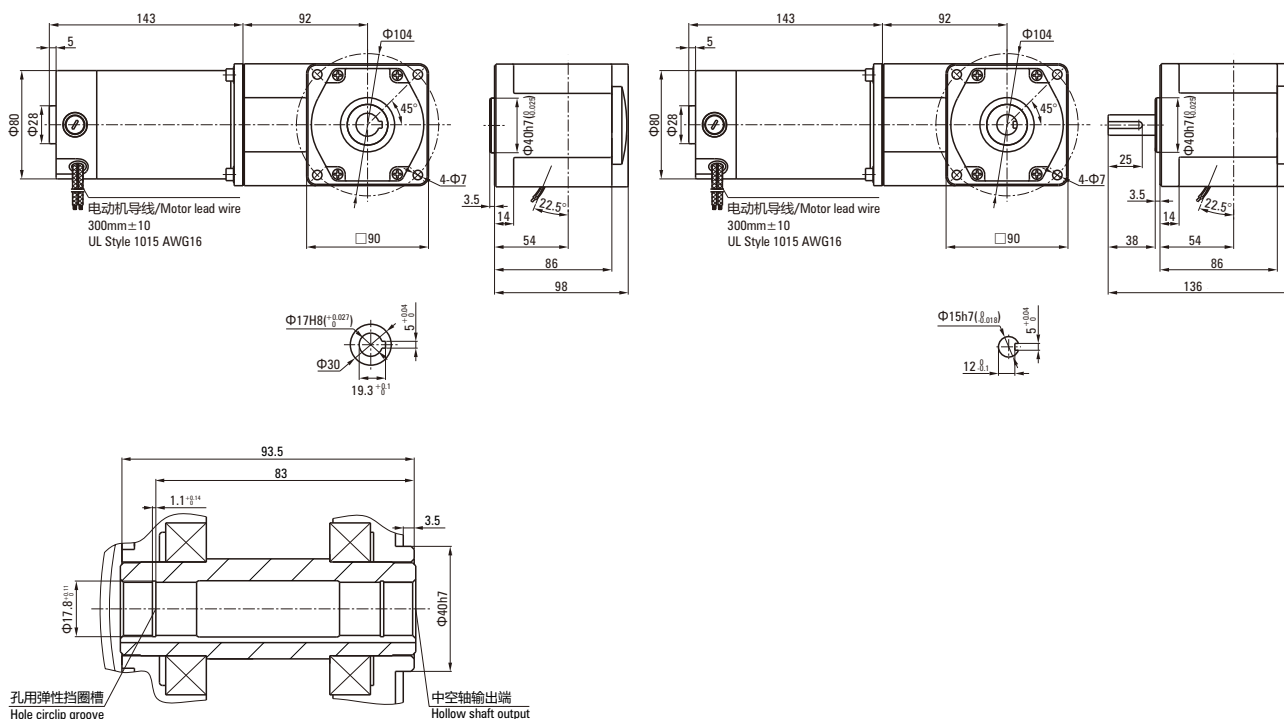
■ 装有减速器时的容许转矩 Gear Motor-torque Table

- 减速器-中间减速器另售。
Gearhead and mid-gearbox can be sold separately.
- 减速器品号的□中为减速比的数值。
Enter the reduction ratio into the blank (□) within the model name.
- 色表示分别从电动机轴轴端和减速器轴轴端看时，电机轴与输出轴转向反方向运转。其他则为同一方向运转。
□ Indicates the opposite rotating direction between motor shaft and gearbox shaft while others are in same direction.
- 转速是以电动机的额定转速为基准除以减速比而算出来的数值。实际转速将随负载大小变化而比所示数值减少2%~20%左右。
The speed is calculated by dividing the motor's synchronous speed by the reduction ratio. The actual speed is 2%~20% less than the displayed value, depending on the size of the load.
- 希望以大于下表的减速比进行进一步减速时，可在电动机与减速器之间安装减速比为10的中间减速器。这时的容许转矩为20N·m。
To reduce the speed beyond the gear ratio in the table, attach a mid-gearbox (gear ratio:10) between the gearhead and motor. In that case, the permissible torque is 20N·m.

■ 容许力矩单位 Allowance Torque Unit: 上段 Upside (N.m) / 下段 Belowside (kgf.cm)

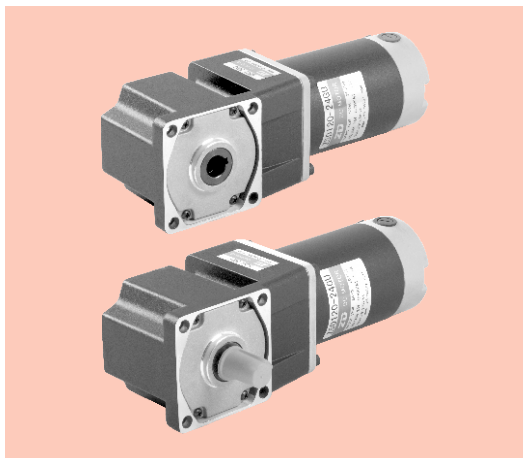
类型 Type 电动机/减速机 Motor/Gearhead	减速比 Gear Ratio	7.5	9	12.5	15	18	25	30	36	50	60	75	90	100	120	150	180
	转速 Speed r/min	373	311	224	186	155	112	93	77	56	46	37	31	28	23	18	15
Z5D90-24GU-28S	5GU□RC	1.68	2.01	2.80	3.36	4.03	5.59	6.71	7.25	10.1	12.1	15.1	18.1	20.0	20.0	20.0	20.0
	5GU□RT	17.1	20.5	28.6	34.3	41.1	57.0	68.4	74.0	103	123	154	185	200	200	200	200

■ 外形图 (单位: mm) Dimensions (Unit: mm)



弧锥直角 SPIRAL BEVEL RIGHT ANGLE

■ 120W □ 90mm



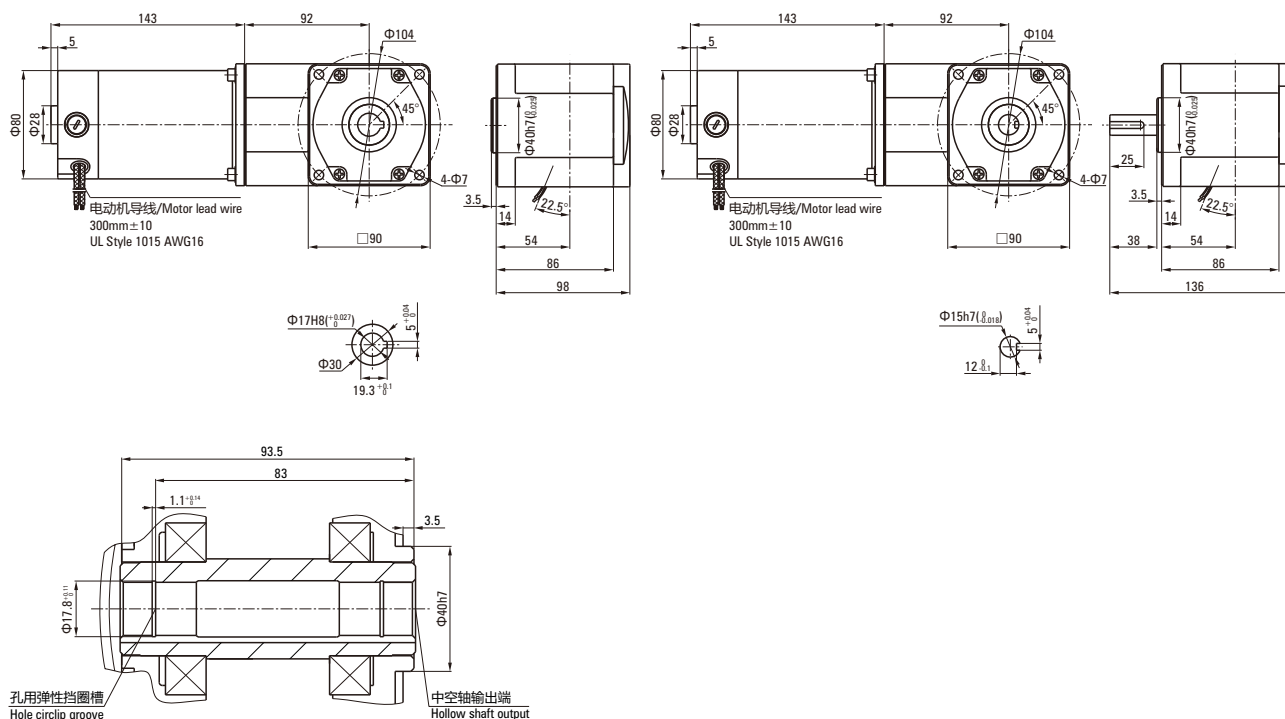
■ 装有减速器时的容许转矩 Gear Motor-torque Table

- 减速器-中间减速器另售。
Gearhead and mid-gearbox can be sold separately.
- 减速器品号的□中为减速比的数值。
Enter the reduction ratio into the blank (□) within the model name.
- 色表示分别从电动机轴轴端和减速器轴轴端看时, 电机轴与输出轴转向反方向运转。其他则为同一方向运转。
■ Indicates the opposite rotating direction between motor shaft and gearbox shaft while others are in same direction.
- 转速是以电动机的额定转速为基准除以减速比而算出来的数值。实际转速将随负载大小变化而比所示数值减少2%~20%左右。
The speed is calculated by dividing the motor's synchronous speed by the reduction ratio. The actual speed is 2%~20% less than the displayed value, depending on the size of the load.
- 希望以大于下表的减速比进行进一步减速时, 可在电动机与减速器之间安装减速比为10的中间减速器。这时的容许转矩为20N·m。
To reduce the speed beyond the gear ratio in the table, attach a mid-gearbox (gear ratio:10) between the gearhead and motor. In that case, the permissible torque is 20N·m.

■ 容许力矩单位 Allowance Torque Unit: 上段 Upside (N.m) / 下段 Belowside (kgf.cm)

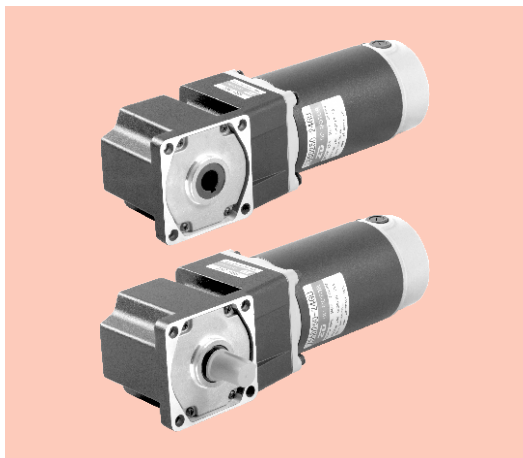
类型 Type 电动机/减速机 Motor/Gearhead	减速比 Gear Ratio	7.5	9	12.5	15	18	25	30	36	50	60	75	90	100	120	150	180
	转速 Speed r/min	346	288	208	173	144	104	86	72	52	43	34	28	26	21	17	14
Z5D120-24GU-26S	5GU□RC	2.41	5.44	4.02	4.82	5.78	8.03	9.64	10.4	14.5	17.4	20.0	20.0	20.0	20.0	20.0	20.0
	5GU□RT	24.6	55.5	41.0	49.2	59.0	81.9	98.3	106	148	177	200	200	200	200	200	200

■ 外形图 (单位: mm) Dimensions (Unit: mm)



弧锥直角 SPIRAL BEVEL RIGHT ANGLE

■ 250W □ 90mm



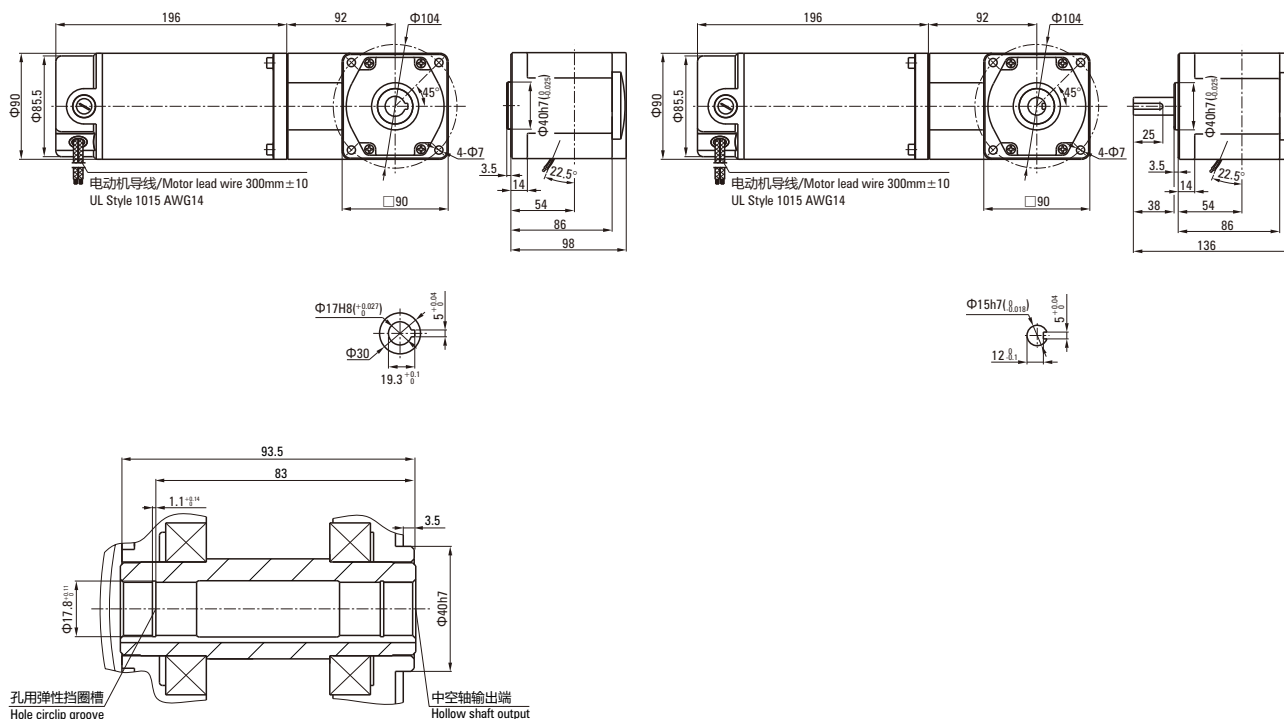
■ 装有减速器时的容许转矩 Gear Motor-torque Table

- 减速器-中间减速器另售。
Gearhead and mid-gearbox can be sold separately.
- 减速器品号的□中为减速比的数值。
Enter the reduction ratio into the blank (□) within the model name.
- 色表示分别从电动机轴轴端和减速器轴轴端看时，电机轴与输出轴转向反方向运转。其他则为同一方向运转。
□ Indicates the opposite rotating direction between motor shaft and gearbox shaft while others are in same direction.
- 转速是以电动机的额定转速为基准除以减速比而算出来的数值。实际转速将随负载大小变化而比所示数值减少2%~20%左右。
The speed is calculated by dividing the motor's synchronous speed by the reduction ratio. The actual speed is 2%~20% less than the displayed value, depending on the size of the load.
- 希望以大于下表的减速比进行进一步减速时，可在电动机与减速器之间安装减速比为10的中间减速器。这时的容许转矩为20N·m。
To reduce the speed beyond the gear ratio in the table, attach a mid-gearbox (gear ratio:10) between the gearhead and motor. In that case, the permissible torque is 20N·m.

■ 容许力矩单位 Allowance Torque Unit: 上段 Upside (N.m) / 下段 Belowside (kgf.cm)

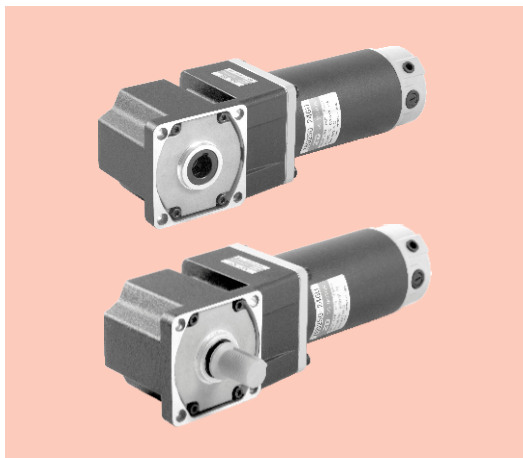
类型 Type 电动机/减速机 Motor/Gearhead	减速比 Gear Ratio	7.5	9	12.5	15	18	25	30	36	50	60	75	90	100	120	150	180
	转速 Speed r/min	400	333	240	200	166	120	100	83	60	50	40	33	30	25	20	16
Z55D250-24GU-30S	5GU□RC	4.35	5.20	6.50	8.70	10.4	14.5	17.4	18.8	20.0	20.0	20.0	20.0	20.0	20.0	20.0	20.0
	5GU□RT	44.4	53.0	66.3	88.7	106	148	177	192	200	200	200	200	200	200	200	200

■ 外形图 (单位: mm) Dimensions (Unit: mm)



弧锥直角 SPIRAL BEVEL RIGHT ANGLE

■ 250W □104mm



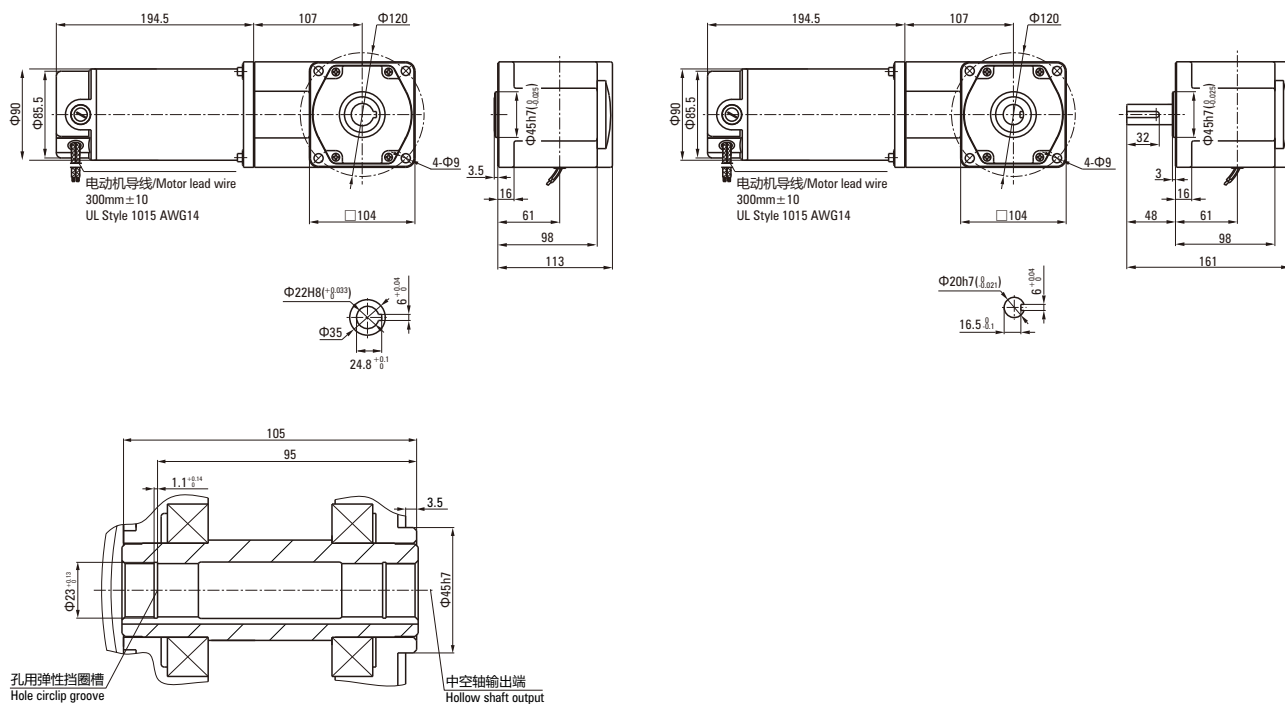
■ 装有减速器时的容许转矩 Gear Motor-torque Table

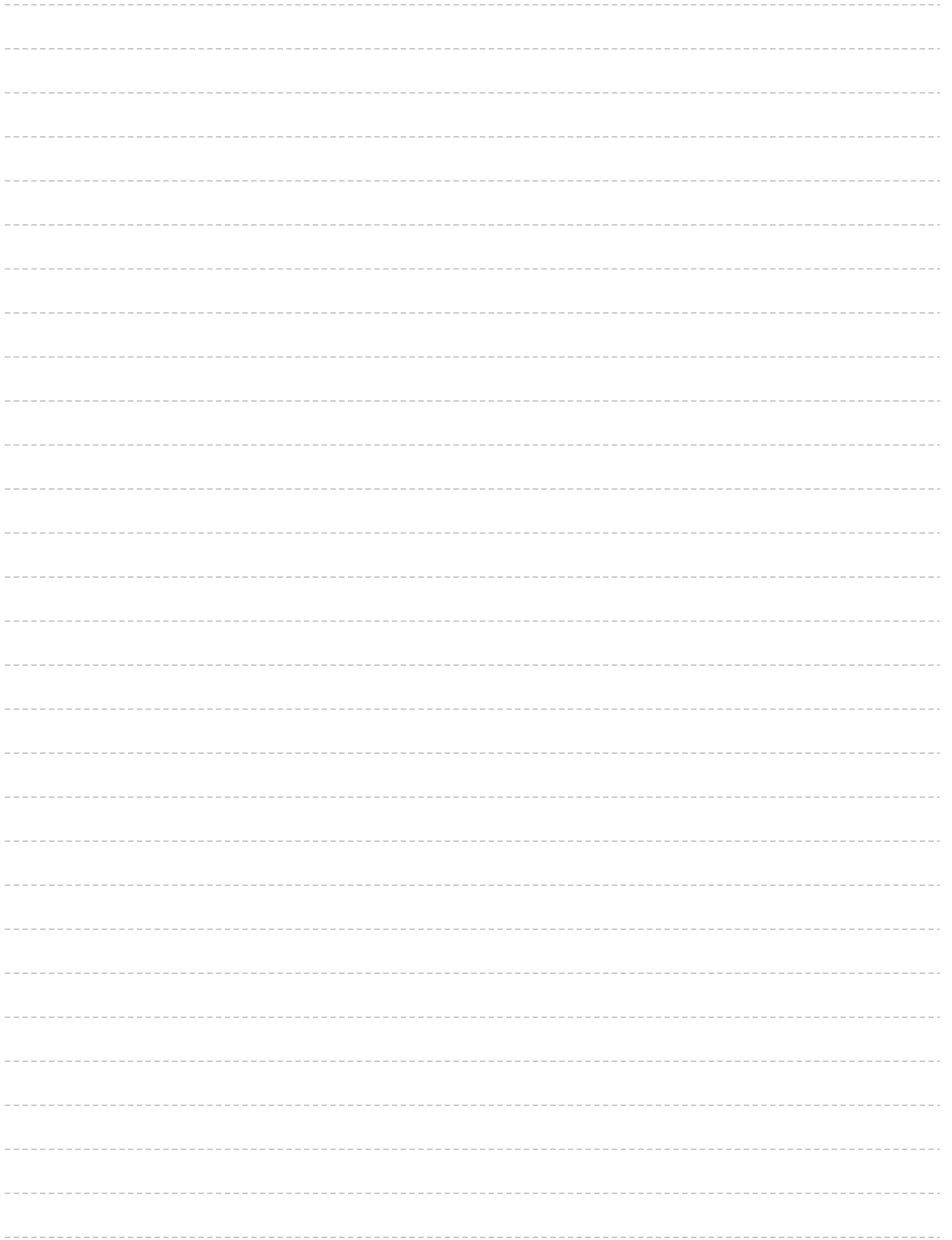
- 减速器-中间减速器另售。
Gearhead and mid-gearbox can be sold separately.
- 减速器品号的□中为减速比的数值。
Enter the reduction ratio into the blank (□) within the model name.
 - 色表示分别从电动机轴轴端和减速器轴轴端看时，电机轴与输出轴转向反方向运转。其他则为同一方向运转。
 - 色 Indicates the opposite rotating direction between motor shaft and gearbox shaft while others are in same direction.
- 转速是以电动机的额定转速为基准除以减速比而算出来的数值。实际转速将随负载大小变化而比所示数值减少2%~20%左右。
The speed is calculated by dividing the motor's synchronous speed by the reduction ratio. The actual speed is 2%~20% less than the displayed value, depending on the size of the load.
- 希望以大于下表的减速比进行进一步减速时，可在电动机与减速器之间安装减速比为10的中间减速器。这时的容许转矩为60N·m。
To reduce the speed beyond the gear ratio in the table, attach a mid-gearbox (gear ratio:10) between the gearhead and motor. In that case, the permissible torque is 60N·m.

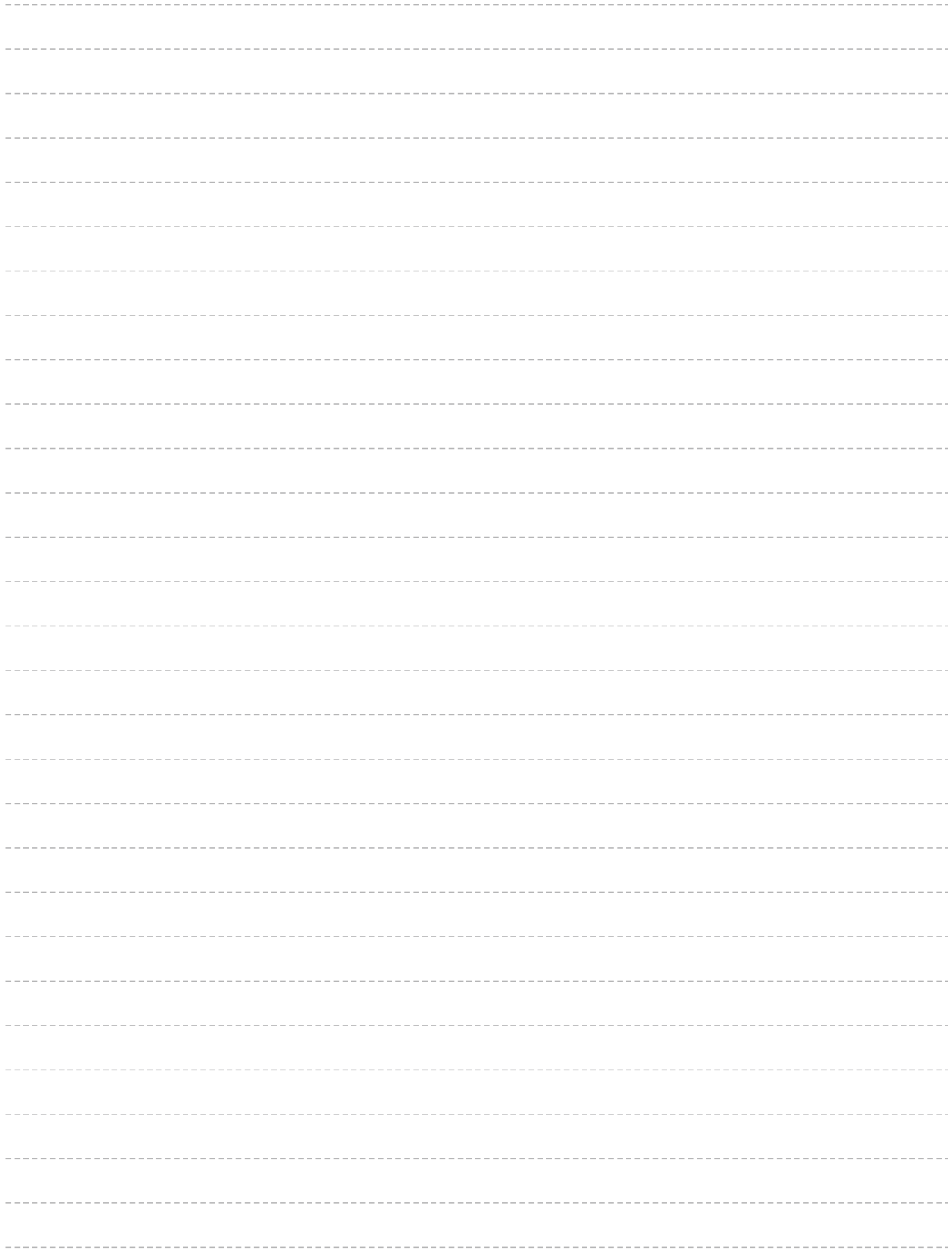
■ 容许力矩单位 Allowance Torque Unit: 上段 Upside (N.m) / 下段 Belowside (kgf.cm)

类型 Type 电动机/减速机 Motor/Gearhead	减速比 Gear Ratio	7.5	9	12.5	15	18	25	30	36	50	60	75	90	100	120	150	180
	转速 Speed r/min	400	333	240	200	166	120	100	83	60	50	40	33	30	25	20	16
Z6D250-24GU-30S	6GU□RC	4.35	5.20	6.50	8.70	10.4	14.5	17.4	18.8	20.0	20.0	20.0	20.0	20.0	20.0	20.0	20.0
	6GU□RT	44.4	53.0	66.3	88.7	106	148	177	192	200	200	200	200	200	200	200	200

■ 外形图 (单位: mm) Dimensions (Unit: mm)







Blank page with horizontal dashed lines for writing.