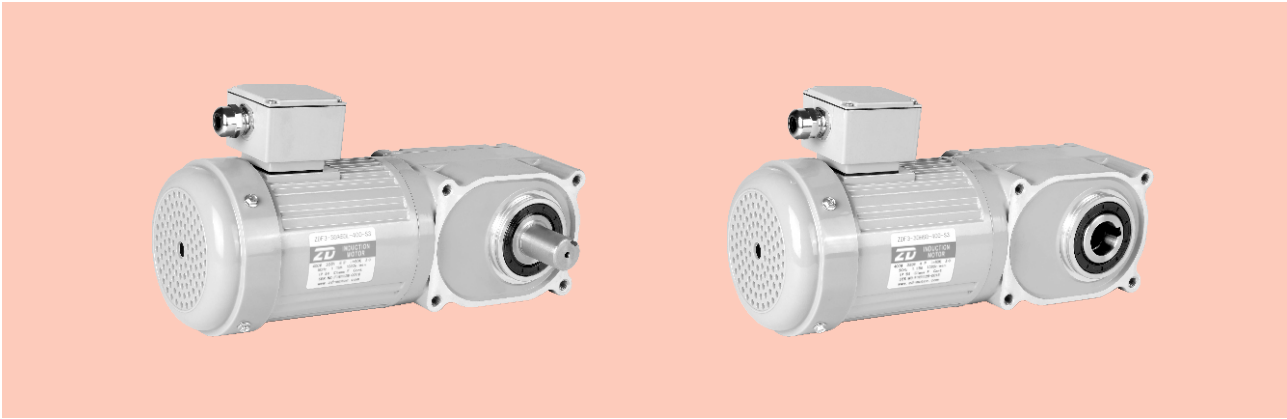


# ZDF3尺寸图 ZDF3 SIZE CHART



## 规格 · 连续额定 Specification And Continuous Rating

型号 Model	输出功率 Output Power	电压 Voltage	频率 Frequency	额定电流 Rated Current	额定转矩 Rated Torque	额定转速 Rated Speed	堵转转矩 Locked Rotor Torque	堵转电流 Locked Rotor Current	绝缘等级 Insulation Grade
	W	V	Hz	A	N.m	r/min	N.m	A	
ZDF3-30H□-400-S(B)	400	200	60	1.97	2.31	1650	3.80	7.5	F
ZDF3-35H□-400-S(B)		220	50	2.00	2.75	1380	6.90	9.5	
ZDF3-30H□-400-S <sub>2</sub> (B)		380	50	1.19	2.75	1380	6.90	5.5	
ZDF3-35H□-400-S <sub>2</sub> (B)		460	60	1.11	2.20	1730	7.30	6.3	

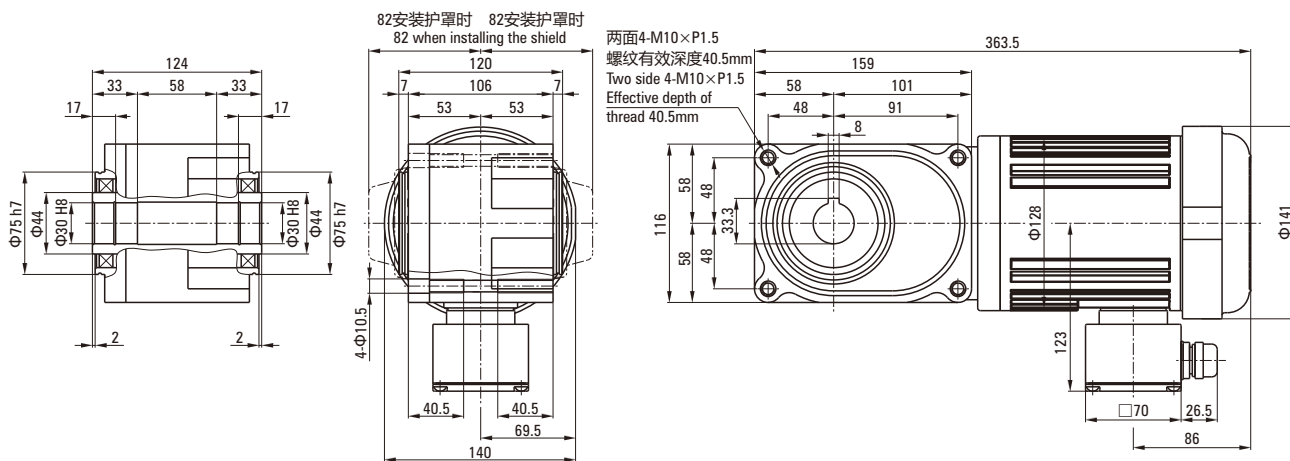
型号 Model	输出功率 Output Power	电压 Voltage	频率 Frequency	额定电流 Rated Current	额定转矩 Rated Torque	额定转速 Rated Speed	堵转转矩 Locked Rotor Torque	堵转电流 Locked Rotor Current	绝缘等级 Insulation Grade
	W	V	Hz	A	N.m	r/min	N.m	A	
ZDF3-28A□-400-S(B)	400	200	60	1.97	2.31	1650	3.80	7.5	F
ZDF3-32A□-400-S(B)		220	50	2.00	2.75	1380	6.90	9.5	
ZDF3-28A□-400-S <sub>2</sub> (B)		380	50	1.19	2.75	1380	6.90	5.5	
ZDF3-32A□-400-S <sub>2</sub> (B)		460	60	1.11	2.20	1730	7.30	6.3	

功率 Power	孔径/轴径 Aperture/Axis Diameter	减速比 Reduction Ratio	输出轴转速 Output Shaft Speed		输出轴容许转矩 Output Shaft Torque		输出轴容许 Output Shaft Tolerance		输出轴容许 Output Shaft Tolerance	
			r/min	50Hz	N.m	kgf.m	N	kgf	轴向往力负载 Axial Force Load	
									N	kgf
400	30/28	5	300.0	11	1.130	1520	155	375	38	
		7.5	200.0	17	1.730	1760	180	438	45	
		10	150.0	22	2.260	1910	195	475	48	
		12	125.0	27	2.710	2060	210	506	52	
		15	100.0	33	3.380	2160	220	539	55	
		20	75.00	44	4.510	2400	245	600	61	
		25	60.00	55	5.640	2550	260	637	65	
		30	50.00	66	6.770	2650	270	662	68	
		40	37.50	88	9.020	2840	290	711	73	
	50	30.00	111	11.28	2990	305	747	76		
	60	25.00	133	13.53	3090	315	767	78		
	35/32	80	18.80	159	16.24	3480	355	873	89	
		100	15.00	199	20.30	3530	360	833	85	
		120	12.50	239	24.36	3530	360	833	85	
		※160	9.400	270	27.55	3630	370	912	93	
		※200	7.500	270	27.55	3630	370	912	93	
		※240	6.300	270	27.55	3630	370	912	93	

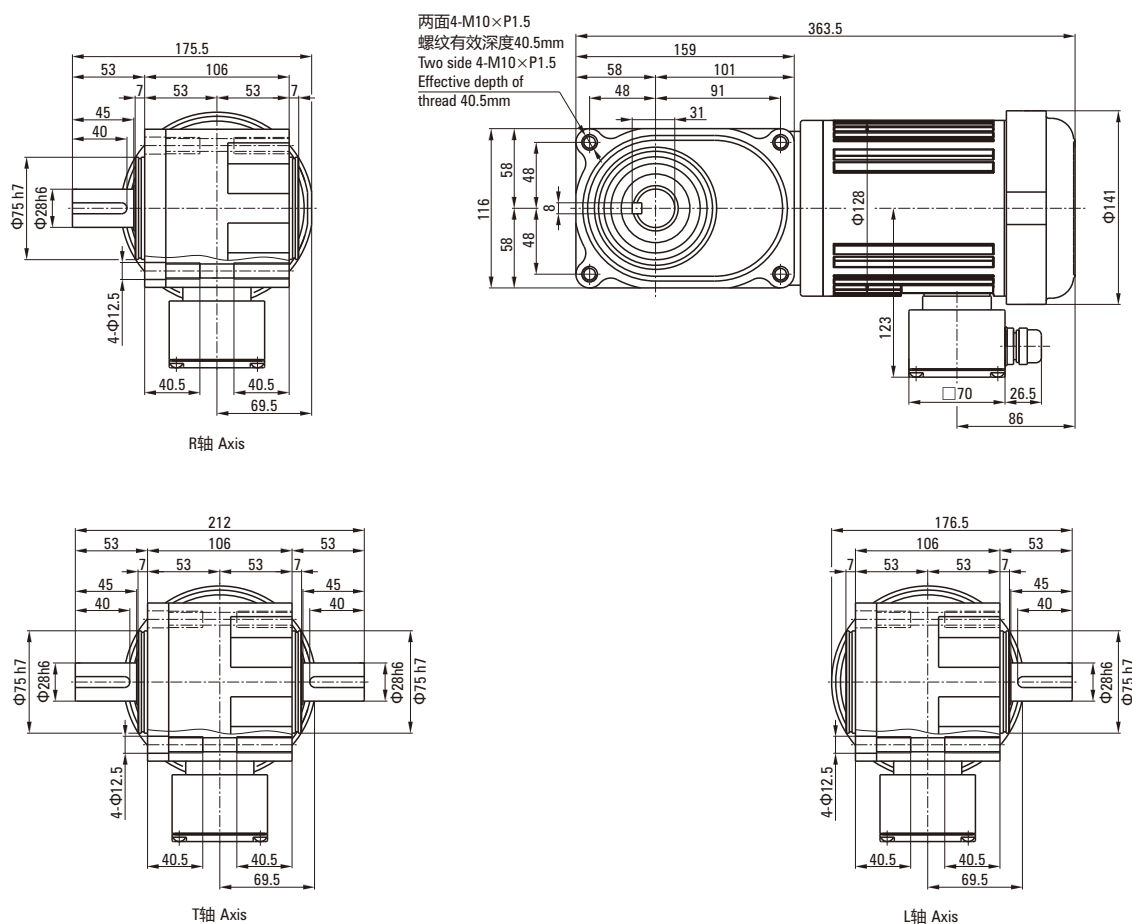
注：带※号的为转矩力限制机种，使用时请阅读本表。 Note: The number for the torque limit model, please read this table.

# 外形图 OUTLINE DRAWING

ZDF3-30H5~60-400-S(B)    ZDF3-30H5~60-400-S<sub>3</sub>(B)

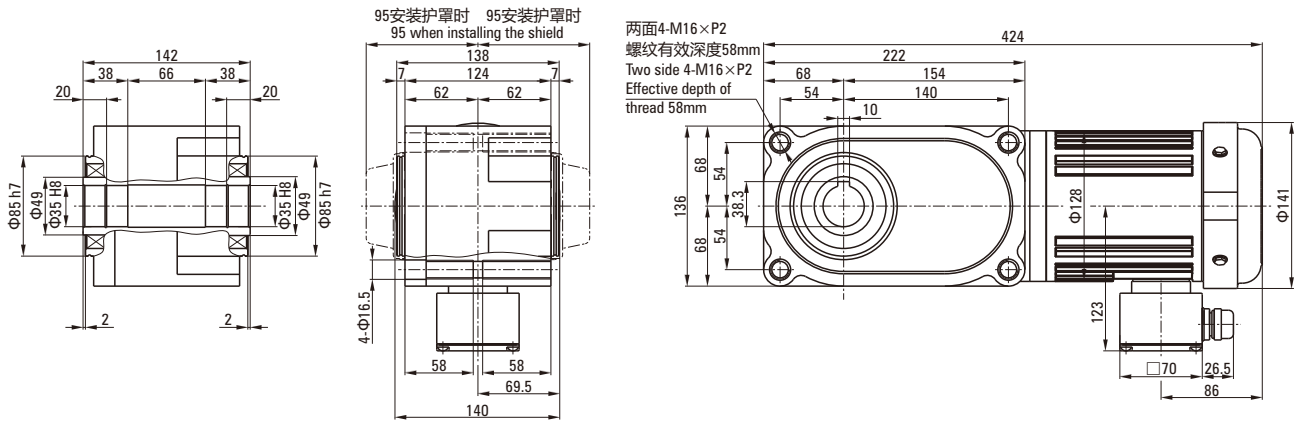


ZDF3-28A5~60-400-S(B)    ZDF3-28A5~60-400-S<sub>3</sub>(B)



# 外形图 OUTLINE DRAWING

ZDF3-35H80~240-400-S(B)    ZDF3-35H80~240-400-S<sub>3</sub>(B)



ZDF3-32A80~240-400-S(B)    ZDF3-32A80~240-400-S<sub>3</sub>(B)

