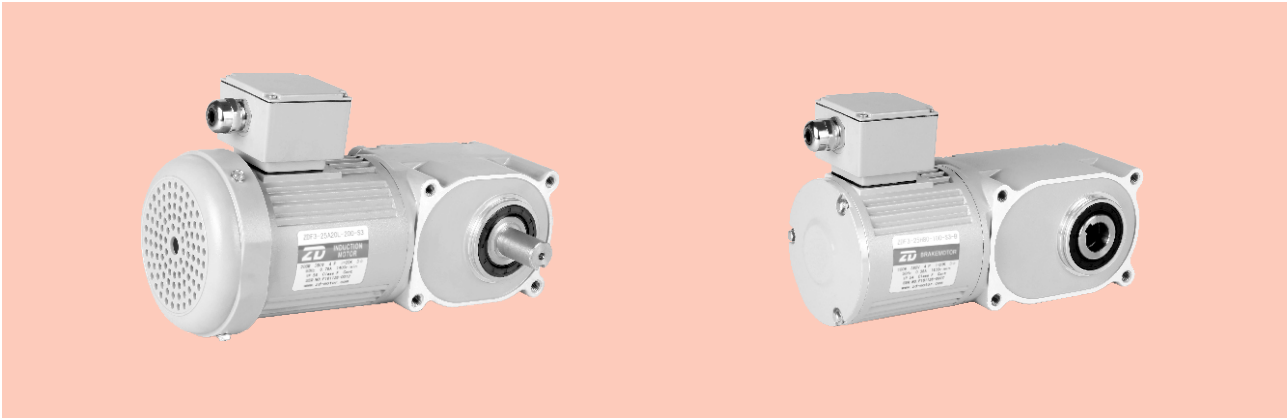


# ZDF3尺寸图 ZDF3 SIZE CHART



## 规格 · 连续额定 Specification And Continuous Rating

型号 Model	输出功率 Output Power	电压 Voltage	频率 Frequency	额定电流 Rated Current	额定转矩 Rated Torque	额定转速 Rated Speed	堵转转矩 Locked Rotor Torque	堵转电流 Locked Rotor Current	绝缘等级 Insulation Grade
	W	V	Hz	A	N.m	r/min	N.m	A	
ZDF3-25H□-100-S(B)	100	200	60	0.60	0.56	1700	1.22	2.59	F
		220	50	0.74	0.67	1410	1.85	1.10	
ZDF3-25H□-100-S <sub>3</sub> (B)		380	50	0.43	0.67	1410	1.85	1.64	
		460	60	0.41	0.55	1730	2.00	1.80	

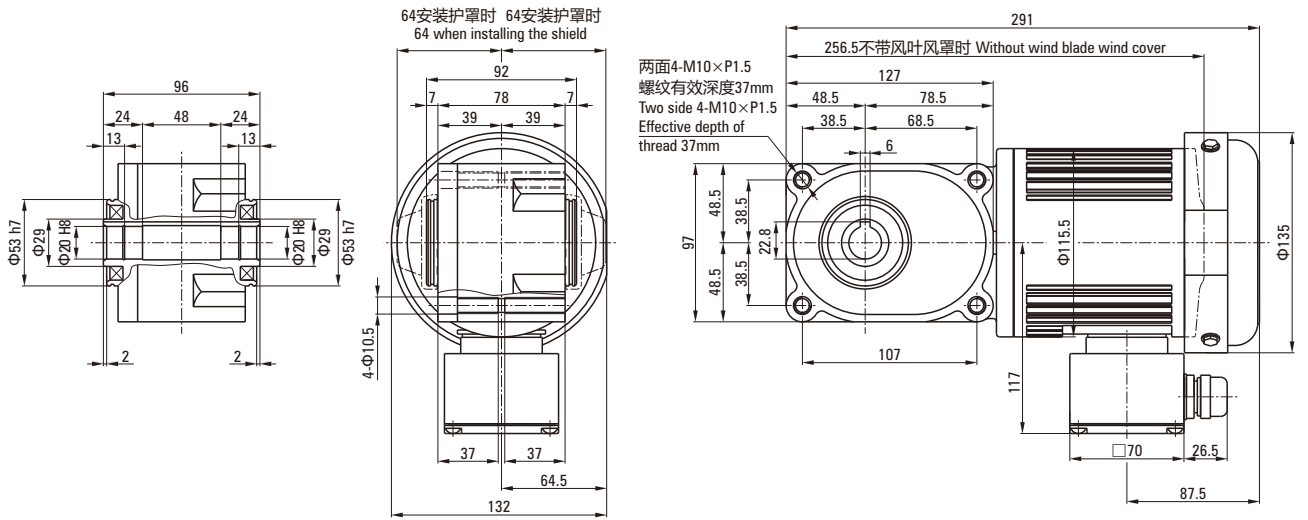
型号 Model	输出功率 Output Power	电压 Voltage	频率 Frequency	额定电流 Rated Current	额定转矩 Rated Torque	额定转速 Rated Speed	堵转转矩 Locked Rotor Torque	堵转电流 Locked Rotor Current	绝缘等级 Insulation Grade
	W	V	Hz	A	N.m	r/min	N.m	A	
ZDF3-22A□-100-S(B)	100	200	60	0.60	0.56	1700	1.22	2.59	F
		220	50	0.74	0.67	1410	1.85	1.10	
ZDF3-22A□-100-S <sub>3</sub> (B)		380	50	0.43	0.67	1410	1.85	1.64	
		460	60	0.41	0.55	1730	2.00	1.80	

功率 Power	孔径/轴径 Aperture/Axis Diameter	减速比 Reduction Ratio	输出轴转速 Output Shaft Speed	输出轴容许转矩 Output Shaft Torque		输出轴容许 Output Shaft Tolerance		输出轴容许 Output Shaft Tolerance	
			r/min	N.m	kgf.m	N	kgf	N	kgf
			50Hz	50Hz	50Hz				
100	20/18	5	300	2.50	0.260	980	100	244	25
		7.5	200	3.80	0.390	1080	110	270	28
		10	150	5.20	0.530	1180	120	294	30
		12	125	6.50	0.660	1270	130	316	32
		15	100	7.70	0.790	1320	135	333	34
		20	75.0	10.8	1.100	1470	150	373	38
		25	60.0	13.0	1.300	1570	160	392	40
		30	50.0	16.0	1.600	1670	170	422	43
		40	37.5	21.0	2.100	1810	185	451	46
	50	30.0	25.0	2.600	1860	190	471	18	
	60	25.0	31.0	3.200	1860	190	471	48	
	25/22	80	18.8	39.0	4.000	2550	260	637	65
		100	15.0	49.0	5.000	2550	260	637	65
		120	12.5	59.0	6.000	2550	260	637	65
		160	9.40	78.0	8.000	2550	260	637	65
		200	7.50	98.0	10.01	2550	260	637	65
		※240	6.30	101	10.31	2550	260	637	65

注：带※号的为转矩力限制机种，使用时请阅读本表。 Note: The number for the torque limit model, please read this table.

# 外形图 OUTLINE DRAWING

ZDF3-20H5~60-100-S(B) ZDF3-20H5~60-100-S<sub>3</sub>(B)



ZDF3-18A5~60<sub>R</sub>-100-S(B) ZDF3-18H5~60<sub>R</sub>-100-S<sub>3</sub>(B)

