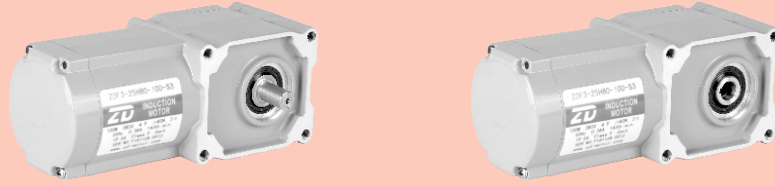


ZDF2尺寸图 ZDF2 SIZE CHART



规格 · 连续额定 Specification And Continuous Rating

型号 Model	输出功率 Output Power	电压 Voltage	频率 Frequency	额定电流 Rated Current	额定转矩 Rated Torque	额定转速 Rated Speed	堵转转矩 Locked Rotor Torque	堵转电流 Locked Rotor Current	绝缘等级 Insulation Grade
	W	V	Hz	A	N.m	r/min	N.m	A	
ZDF2-12H□-15-S(TB)	15	200	60	0.12	0.09	1550	0.16	0.30	F
		220	50	0.13	0.11	1350	0.26	0.35	
ZDF2-12H□-15-S3(TB)		380	50	0.08	0.11	1350	0.26	0.20	
		460	60	0.08	0.09	1680	0.30	0.22	

型号 Model	输出功率 Output Power	电压 Voltage	频率 Frequency	额定电流 Rated Current	额定转矩 Rated Torque	额定转速 Rated Speed	堵转转矩 Locked Rotor Torque	堵转电流 Locked Rotor Current	电容器 Capacitor	绝缘等级 Insulation Grade
	W	V	Hz	A	N.m	r/min	N.m	A	UF	
ZDF2-15A□-15-C(TB)	15	220	60	0.15	0.09	1680	0.08	0.33	1.20	F
		220	50	0.15	0.10	1380	0.08	0.35		
ZDF2-15A□-15-A(TB)		110	50	0.30	0.10	1380	0.08	0.68	5.00	
		110	60	0.34	0.09	1680	0.08	0.65		

功率 Power	孔径/轴径 Aperture/Axis Diameter	减速比 Reduction Ratio	输出轴转速 Output Shaft Speed	输出轴容许转矩 Output Shaft Torque		输出轴容许 Output Shaft Tolerance		输出轴容许 Output Shaft Tolerance	
			r/min	N.m	kgf.m	N	kgf	N	kgf
W	mm	i	50Hz	50Hz	50Hz	N	kgf	N	kgf
15	12/15	10	150	0.810	0.08	343	35	88	9
		15	100	1.210	0.12	441	45	108	11
		20	75.0	1.620	0.16	539	55	137	14
		25	60.0	2.020	0.20	588	60	147	15
		30	50.0	2.430	0.24	686	70	177	18
		40	37.5	3.240	0.33	784	80	196	20
		50	30.0	4.050	0.41	882	90	226	23
		60	25.0	4.860	0.49	882	90	226	23
		80	18.8	5.830	0.59	980	100	245	25
		100	15.0	7.290	0.74	980	100	245	25
		120	12.5	8.740	0.89	1080	110	275	28
		160	9.40	11.66	1.18	1080	110	275	28
200	7.50	14.58	1.48	1080	110	275	28		
240	6.30	17.49	1.78	1080	110	275	28		

ZDF2尺寸图 ZDF2 SIZE CHART

规格 · 连续额定 Specification And Continuous Rating

型号 Model	输出功率 Output Power	电压 Voltage	频率 Frequency	额定电流 Rated Current	额定转矩 Rated Torque	额定转速 Rated Speed	堵转转矩 Locked Rotor Torque	堵转电流 Locked Rotor Current	绝缘等级 Insulation Grade
	W	V	Hz	A	N.m	r/min	N.m	A	
ZDF2-12H□-25-S(TB)	25	200	60	0.17	0.16	1450	0.22	0.36	F
		220	50	0.18	0.18	1300	0.34	0.43	
ZDF2-12H□-25-S3(TB)		380	50	0.11	0.18	1300	0.34	0.24	
		460	60	0.10	0.15	1650	0.36	0.27	

型号 Model	输出功率 Output Power	电压 Voltage	频率 Frequency	额定电流 Rated Current	额定转矩 Rated Torque	额定转速 Rated Speed	堵转转矩 Locked Rotor Torque	堵转电流 Locked Rotor Current	电容器 Capacitor	绝缘等级 Insulation Grade
	W	V	Hz	A	N.m	r/min	N.m	A	UF	
ZDF2-15A□-25-C(TB)	25	220	60	0.21	0.15	1620	0.09	0.46	1.50	F
		220	50	0.26	0.18	1320	0.09	0.52		
ZDF2-15A□-25-A(TB)		110	50	0.48	0.18	1320	0.09	0.93	6.00	
		110	60	0.43	0.15	1620	0.09	0.83		

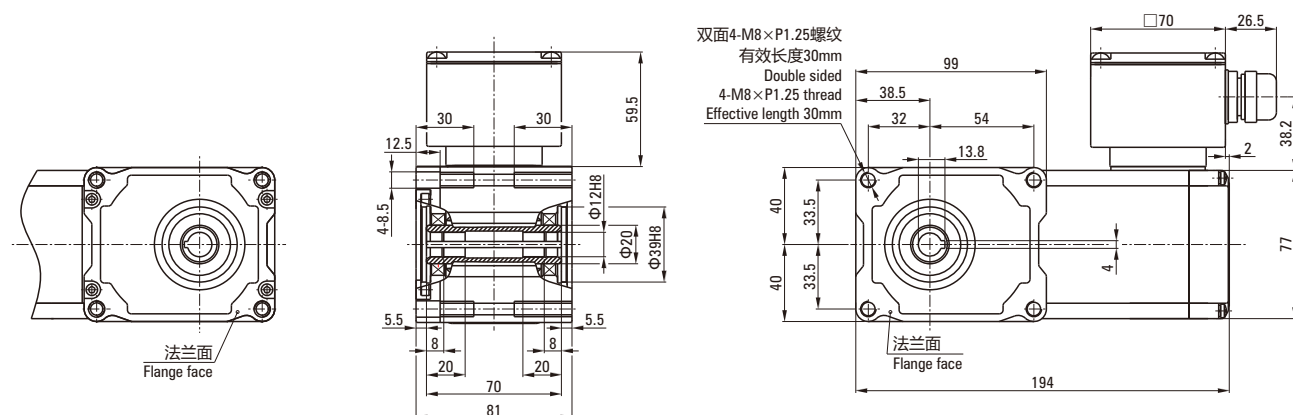
功率 Power	孔径/轴径 Aperture/Axis Diameter	减速比 Reduction Ratio	输出轴转速 Output Shaft Speed	输出轴容许转矩 Output Shaft Torque		输出轴容许 Output Shaft Tolerance		输出轴容许 Output Shaft Tolerance	
			r/min	N.m	kgf.m	N	kgf	N	kgf
W	mm	i	50Hz	50Hz	50Hz	N	kgf	N	kgf
25	12/15	10	150	1.450	0.14	343	35	88	9
		15	100	2.180	0.22	441	45	108	11
		20	75.0	2.910	0.29	539	55	137	14
		25	60.0	3.640	0.37	588	60	147	15
		30	50.0	4.370	0.44	686	70	177	18
		40	37.5	5.830	0.59	784	80	196	20
		50	30.0	7.290	0.74	882	90	226	23
		60	25.0	8.740	0.89	882	90	226	23
		80	18.8	10.49	1.07	980	100	245	25
		100	15.0	13.12	1.33	980	100	245	25
		120	12.5	15.74	1.60	1080	110	275	28
		160	9.40	20.99	2.14	1080	110	275	28
		※200	7.50	25.50	2.60	1080	110	275	28
※240	6.30	25.50	2.60	1080	110	275	28		

注：带※号的为转矩力限制机种，使用时请阅读本表。 Note: The number for the torque limit model, please read this table.

外形图 OUTLINE DRAWING

ZDF2-12H10~240-15~25-C(T)
ZDF2-12H10~240-15~25-S(T)

ZDF2-12H10~240-15~25-A(T)
ZDF2-12H10~240-15~25-S3(T)

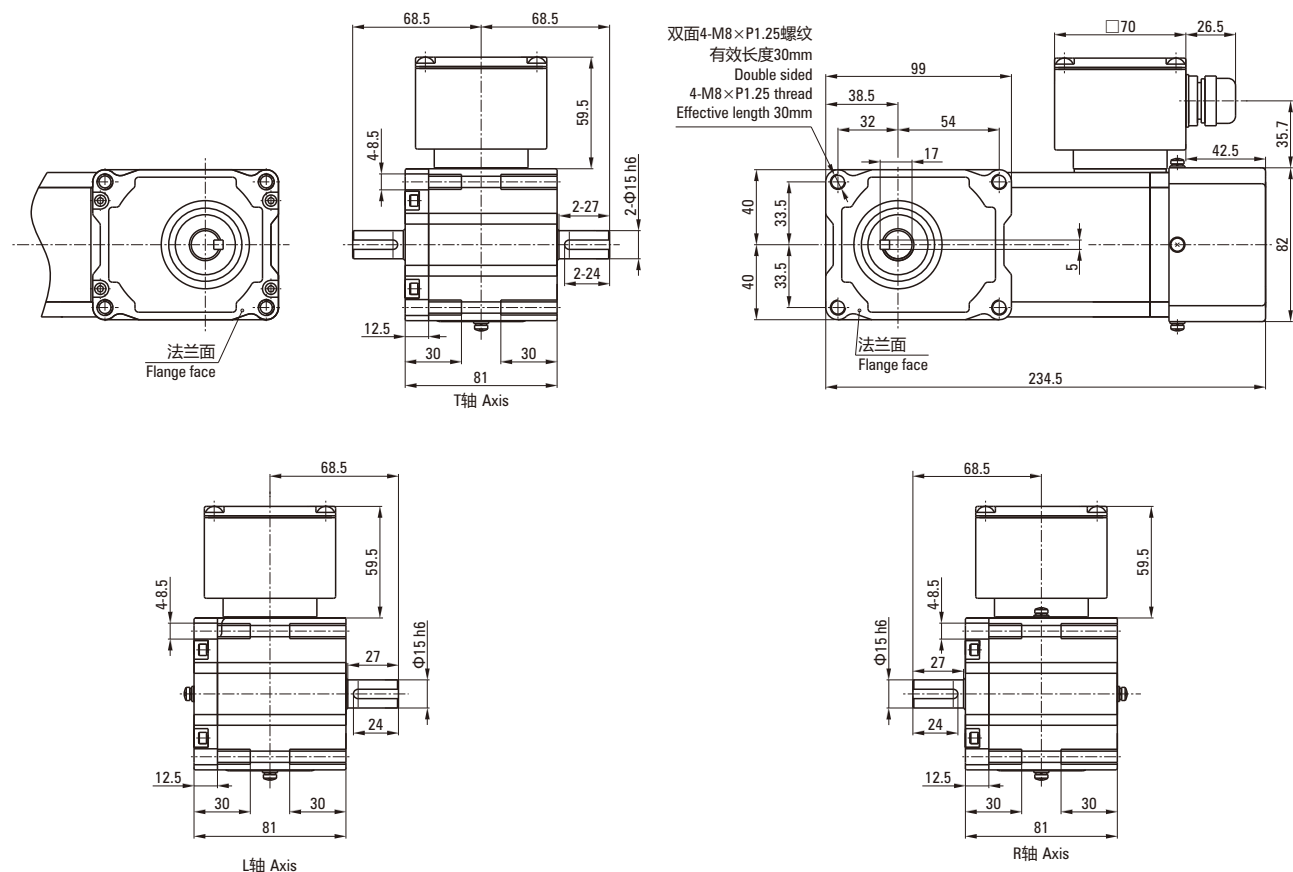


注：常规产品不带接线盒 Note: Conventional products without wiring box

ZDF2-15A10_R~240_R-15~25-C(TB)
ZDF2-15A10_R~240_R-15~25-S3(TB)

ZDF2-15A10_R~240_R-15~25-A(TB)

ZDF2-15A10_R~240_R-15~25-S(TB)



注：常规产品不带接线盒 Note: Conventional products without wiring box