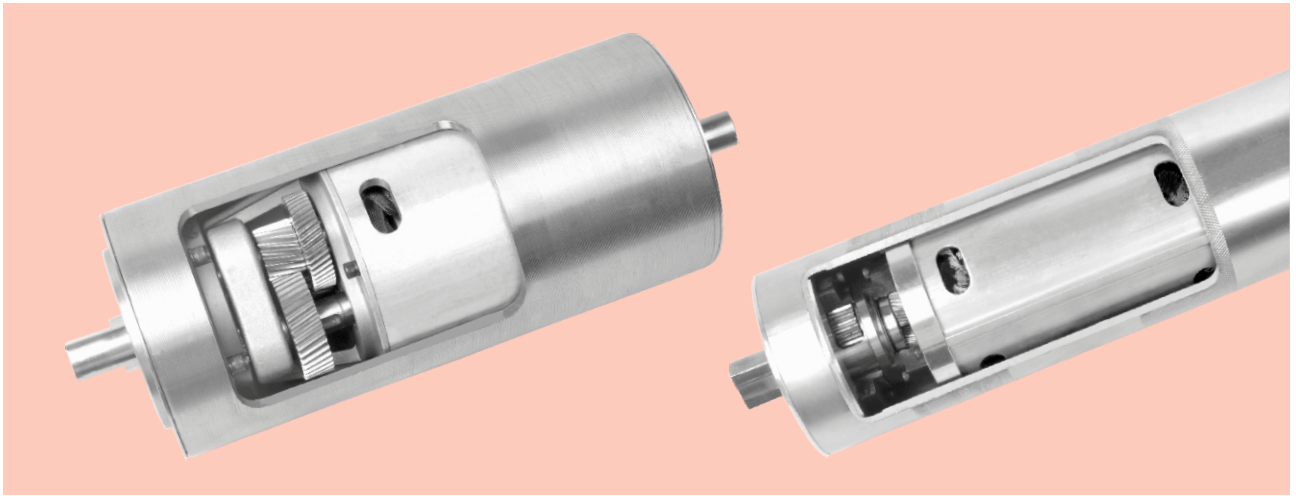


DM/DMX165电动滚筒 DM/DMX165 DRUM MOTOR



P28

产品信息 Product Information

此款电动滚筒非常强健扎实，能够承受巨大的扭矩和很高的径向负载，具有外形兼顾、耐冲击和扭矩强劲等显著特点，可以选择较大负载输送设备的最佳选择。

The electric roller is very robust and can withstand great torque and high radial load. It has the advantages of high profile, high impact and high torque, and can choose the best choice of load transmission equipment.

- | | |
|-------------------|--|
| • 食品加工输送机 | Food processing conveyer |
| • 机场行李处理系统 | Airport baggage handling systems |
| • 包装输送机 | Packing conveyer |
| • 皮带秤 | Belt balance |
| • 邮政分拣输送机 | Post sorting conveyer |
| • 钢或塑料模组网带应用 | Steel or plastic module mesh belt application |
| • 农作物 | Crops |
| • 干燥、潮湿及需要冲洗的应用环境 | Dry, wet and need to develop the application environment |

DM/DMX165电动滚筒特征 DM/DMX165 Characteristics Of Drum Motor

● 筒体 Drum Shell

- 标准筒体为低碳钢材质，成品表面镀锌，做环保标志 • 食品级筒体为304不锈钢 • 标准筒体表面加工有防滑滚花
- Material of standard drum shell is mild steel, zinc plated, with ECO mark • Food grade shell is 304 stainless steel • Standard cylinder surface processing with non slip roller

● 齿轮传动 Gear Drive

- 高合金钢精磨齿轮，确保传动时超低噪音，铸铝齿轮箱 • 重载型电动滚筒采用行星齿轮传动，根据重载设计，高扭矩传输
- High alloy steel grinding gear, to ensure the transmission of ultra low noise, aluminum gear box • Heavy load electric roller adopts planetary gear transmission, according to heavy load design, high torque transmission

● 电机 Motor

- 频率在50Hz或60Hz时，适用于全球各种通用电压 • 电机绝缘等级F级 • 所有电机附加过热保护器 • 电机油浸式散热 • 电缆出线式，电缆的标准长度1.2米
- When 50Hz or 60Hz is used, it can be applied to all kinds of universal voltage • Motor insulation class F • All motor additional overheat protector • Oil immersed motor cooling • Cable outlet type, cable length of 1.2M

● 密封等级 Seal Level

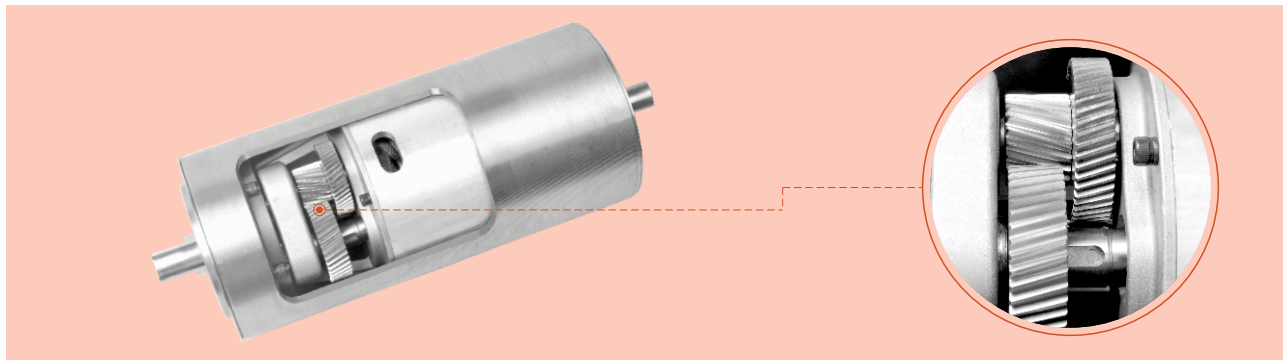
- 轴端采用双密封设计 • 电动滚筒的密封防护等级为IP66/IP67
- Double seal design for shaft end • Drum motor sealing protection level is IP66/IP67

● 注油 Oiling

- 电动滚筒出厂前都已按标准注油 • 每运行5000小时换油一次
- Electric roller factory before has according to the standard oil • Every 5000 hours to run oil change time

● 其他 Other

- 水平安装 • 可以加装电磁制动器，但筒体的最短长度会相应加长 • 带速及筒体长度可按客户要求制作 • 根据客户要求，可制作各种非标准电动滚筒
- Horizontal installation • Can be equipped with electromagnetic brake, but the shortest length of the cylinder will be extended accordingly • Belt speed and tube length can be produced according to customer requirements • According to customer requirements, can produce a variety of non - standard electric roller



DM165三相轻载滚筒电机机械参数 DM165 Mechanical Parameters Of Three Phase Light Load Drum Motor

| P_N kW | np | gs | i | v m/min | n_A min ⁻¹ | M_A Nm | F_N N | SL _{最小值} mm | | | |
|-------------|-------|-------|-------|------------|----------------------------|-------------|------------|-------------------------|-------|------|-----|
| 0.37 | 4 | 2 | 12.35 | 57.57 | 111.7 | 28.20 | 342 | 400 | | | |
| | | | 15.06 | 47.21 | 91.60 | 34.40 | 417 | 400 | | | |
| | | | 20.04 | 35.48 | 68.90 | 45.70 | 554 | 400 | | | |
| | | 3 | 24.30 | 29.26 | 56.80 | 52.30 | 634 | 400 | | | |
| | | | 31.70 | 22.43 | 43.50 | 68.30 | 828 | 400 | | | |
| | | | 39.17 | 18.15 | 35.20 | 84.40 | 1023 | 400 | | | |
| | | | 46.16 | 15.40 | 29.90 | 99.40 | 1205 | 400 | | | |
| | | | 61.96 | 11.48 | 22.30 | 141.4 | 1714 | 400 | | | |
| 0.55 | 4 | 2 | 12.35 | 56.32 | 109.3 | 42.80 | 519 | 400 | | | |
| | | | 15.06 | 46.19 | 89.60 | 52.20 | 633 | 400 | | | |
| | | | 20.04 | 34.71 | 67.40 | 69.50 | 842 | 400 | | | |
| | | 3 | 39.17 | 17.76 | 34.50 | 135.8 | 1646 | 400 | | | |
| | | | 46.16 | 15.07 | 29.20 | 160.0 | 1940 | 400 | | | |
| | | | 61.96 | 11.23 | 21.80 | 214.8 | 2604 | 400 | | | |
| | | | 0.75 | 4 | 2 | 12.35 | 56.32 | 109.3 | 58.40 | 708 | 400 |
| | | | | | | 15.06 | 46.19 | 89.60 | 71.20 | 863 | 400 |
| 20.04 | 34.71 | 67.40 | | | | 94.70 | 1148 | 400 | | | |
| 3 | 24.30 | 28.62 | | | 55.60 | 108.5 | 1315 | 400 | | | |
| | 31.70 | 21.94 | | | 42.60 | 141.5 | 1715 | 400 | | | |
| | 39.17 | 17.76 | | | 34.50 | 174.8 | 2119 | 400 | | | |
| | 46.16 | 15.07 | | | 29.20 | 206.0 | 2497 | 400 | | | |
| | 61.96 | 11.23 | | | 21.80 | 276.5 | 3352 | 400 | | | |
| 1.10 | 2 | 2 | 9.470 | 153.42 | 297.8 | 31.40 | 381 | 400 | | | |
| | | | 12.35 | 117.65 | 228.3 | 41.00 | 497 | 400 | | | |
| | | | 15.06 | 96.48 | 187.3 | 50.00 | 606 | 400 | | | |
| | | | 20.04 | 72.50 | 140.7 | 66.50 | 806 | 400 | | | |
| | | 3 | 24.30 | 59.79 | 116.0 | 76.10 | 923 | 400 | | | |
| | | | 31.70 | 45.83 | 89.00 | 99.30 | 1204 | 400 | | | |
| | | | 39.17 | 37.09 | 72.00 | 122.7 | 1488 | 400 | | | |
| | | | 46.16 | 31.48 | 61.10 | 144.7 | 1753 | 400 | | | |
| | 4 | 2 | 12.35 | 56.32 | 109.3 | 85.60 | 1038 | 400 | | | |
| | | | 15.06 | 46.19 | 89.60 | 104.4 | 1266 | 400 | | | |
| | | | 20.04 | 34.71 | 67.40 | 139.0 | 1684 | 400 | | | |
| | | | 24.30 | 28.62 | 55.60 | 159.1 | 1928 | 400 | | | |
| | | 3 | 31.70 | 21.94 | 42.60 | 207.5 | 2515 | 400 | | | |
| | | | 39.17 | 17.76 | 34.50 | 256.4 | 3108 | 400 | | | |
| | | | 46.16 | 15.07 | 29.20 | 302.2 | 3663 | 400 | | | |
| | | | 1.50 | 4 | 2 | 12.35 | 57.57 | 111.7 | 114.2 | 1385 | 400 |
| 15.06 | 47.21 | 91.60 | | | | 139.3 | 1689 | 400 | | | |
| 20.04 | 35.48 | 68.90 | | | | 185.4 | 2247 | 400 | | | |
| 3 | 24.30 | 29.26 | | | 56.80 | 212.2 | 2572 | 400 | | | |
| | 31.70 | 22.43 | | | 43.50 | 276.8 | 3355 | 400 | | | |
| | 2.20 | 2 | | | 2 | 9.470 | 153.42 | 297.8 | 62.90 | 762 | 400 |
| | | | | | | 12.35 | 117.65 | 228.3 | 82.00 | 994 | 400 |
| | | | | | | 15.06 | 96.48 | 187.3 | 100.0 | 1212 | 400 |
| 20.04 | | | 72.50 | 140.7 | | 133.1 | 1613 | 400 | | | |
| 3 | | | 24.30 | 59.79 | 116.0 | 152.3 | 1846 | 400 | | | |
| | | | 31.70 | 45.83 | 89.00 | 198.7 | 2408 | 400 | | | |
| | | | 39.17 | 37.09 | 72.00 | 245.5 | 2976 | 400 | | | |
| | | | 46.16 | 31.48 | 61.10 | 289.3 | 3507 | 400 | | | |

P_N : 额定功率 Rated power

i: 减速比 Reduction ratio of

M_A : 电动滚筒额定扭矩 Electric drum rated torque

np: 级数 Series

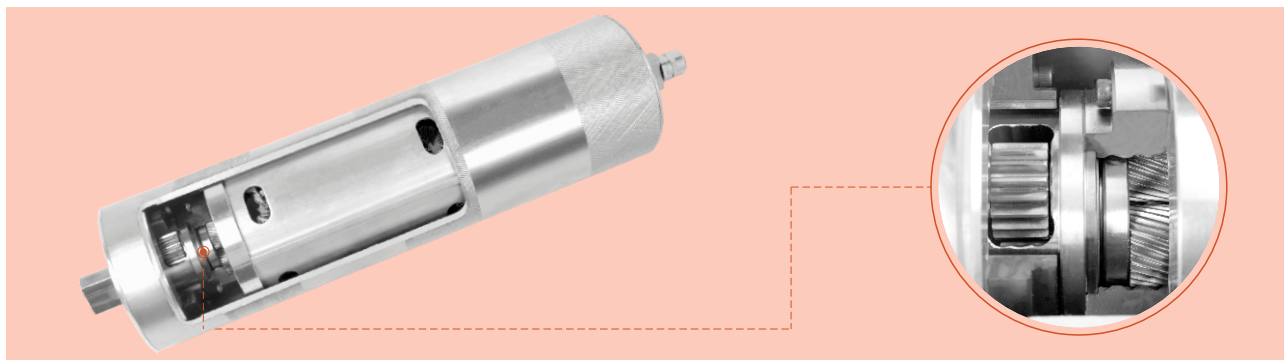
v: 外管额定速率 Outside the rated speed

F_N : 牵引力 Traction force

gs: 齿轮级数 Gear series

n_A : 外管额定转速 Outer tube rated speed

SL_{最小值}: 最短外管长度 The shortest outer tube length



DMX165三相重载滚筒电机机械参数 DMX165 Mechanical Parameters Of Three Phase Heavy Load Drum Motor

| P_N kW | np | gs | i | v m/min | n_A min ⁻¹ | M_A Nm | F_N N | SL _{最小值} mm |
|-------------|-------|-------|-------|------------|----------------------------|-------------|------------|-------------------------|
| 0.55 | 4 | 2 | 9.860 | 48.63 | 137.0 | 28.80 | 506 | 380 |
| | | | 12.01 | 39.91 | 112.4 | 35.00 | 617 | 380 |
| | | | 15.26 | 31.41 | 88.50 | 44.50 | 784 | 380 |
| | | | 17.63 | 27.18 | 76.60 | 51.50 | 906 | 380 |
| | | | 20.99 | 22.84 | 64.30 | 61.20 | 1078 | 380 |
| | | | 24.66 | 19.44 | 54.80 | 71.90 | 1266 | 380 |
| | | | 27.38 | 17.50 | 49.30 | 79.90 | 1406 | 380 |
| | | | 30.82 | 15.55 | 43.80 | 89.90 | 1583 | 380 |
| | | | 36.07 | 13.29 | 37.40 | 105.3 | 1853 | 380 |
| | | | 39.70 | 12.07 | 34.00 | 115.8 | 2039 | 380 |
| 49.62 | 9.660 | 27.20 | 144.8 | 2549 | 380 | | | |
| 0.75 | 4 | 2 | 9.860 | 48.63 | 137.0 | 39.20 | 690 | 380 |
| | | | 12.01 | 39.91 | 112.4 | 47.80 | 841 | 380 |
| | | | 15.26 | 31.41 | 88.50 | 60.70 | 1068 | 380 |
| | | | 17.63 | 27.18 | 76.60 | 70.20 | 1235 | 380 |
| | | | 20.99 | 22.84 | 64.30 | 83.50 | 1470 | 380 |
| | | | 24.66 | 19.44 | 54.80 | 98.10 | 1727 | 380 |
| | | | 27.38 | 17.50 | 49.30 | 108.9 | 1917 | 380 |
| | | | 30.82 | 15.55 | 43.80 | 122.6 | 2158 | 380 |
| | | | 36.07 | 13.29 | 37.40 | 143.5 | 2526 | 380 |
| | | | 39.70 | 12.07 | 34.00 | 158.0 | 2780 | 380 |
| 49.62 | 9.66 | 27.20 | 197.5 | 3475 | 380 | | | |
| 1.10 | 2 | 2 | 9.860 | 100.86 | 284.1 | 27.70 | 488 | 380 |
| | | | 12.01 | 82.77 | 233.2 | 33.80 | 595 | 380 |
| | | | 15.26 | 65.15 | 183.5 | 42.90 | 756 | 380 |
| | | | 17.63 | 56.37 | 158.8 | 49.60 | 873 | 380 |
| | | | 20.99 | 47.36 | 133.4 | 59.10 | 1039 | 380 |
| | | | 24.66 | 40.31 | 113.6 | 69.40 | 1221 | 380 |
| | | | 27.38 | 36.31 | 102.3 | 77.00 | 1356 | 380 |
| | | | 30.82 | 32.25 | 90.90 | 86.70 | 1526 | 380 |
| | | | 36.07 | 27.55 | 77.60 | 101.5 | 1786 | 380 |
| | | | 39.70 | 25.04 | 70.50 | 111.7 | 1966 | 380 |
| 49.62 | 20.03 | 56.40 | 139.6 | 2457 | 380 | | | |
| 1.50 | 4 | 2 | 9.860 | 48.63 | 137.0 | 78.40 | 1380 | 380 |
| | | | 12.01 | 39.91 | 112.4 | 95.60 | 1682 | 380 |
| | | | 15.26 | 31.41 | 88.50 | 121.4 | 2137 | 380 |
| | | | 17.63 | 27.18 | 76.60 | 140.3 | 2470 | 380 |
| | | | 20.99 | 22.84 | 64.30 | 167.0 | 2940 | 380 |
| | | | 24.66 | 19.44 | 54.80 | 196.2 | 3453 | 380 |
| | | | 27.38 | 17.50 | 49.30 | 217.9 | 3835 | 380 |
| | | | 30.82 | 15.55 | 43.80 | 245.3 | 4317 | 380 |
| | | | 36.07 | 13.29 | 37.40 | 287.1 | 5052 | 380 |
| | | | 49.62 | 100.86 | 284.1 | 55.50 | 976 | 380 |
| 2.20 | 2 | 2 | 12.01 | 82.77 | 233.2 | 67.60 | 1189 | 380 |
| | | | 15.26 | 65.15 | 183.5 | 85.90 | 1511 | 380 |
| | | | 17.63 | 56.37 | 158.8 | 99.20 | 1747 | 380 |
| | | | 20.99 | 47.36 | 133.4 | 118.1 | 2079 | 380 |
| | | | 24.66 | 40.31 | 113.6 | 138.8 | 2442 | 380 |
| | | | 27.38 | 36.31 | 102.3 | 154.1 | 2712 | 380 |
| | | | 30.82 | 32.25 | 90.90 | 173.4 | 3053 | 380 |
| | | | 36.07 | 27.55 | 77.60 | 203.0 | 3573 | 380 |
| | | | 39.70 | 25.04 | 70.50 | 223.4 | 3932 | 380 |
| | | | 49.62 | 20.03 | 56.40 | 279.2 | 4915 | 380 |

P_N : 额定功率 Rated power

i: 减速比 Reduction ratio of

M_A : 电动滚筒额定扭矩 Electric drum rated torque

np: 级数 Series

v: 外管额定速率 Outside the rated speed

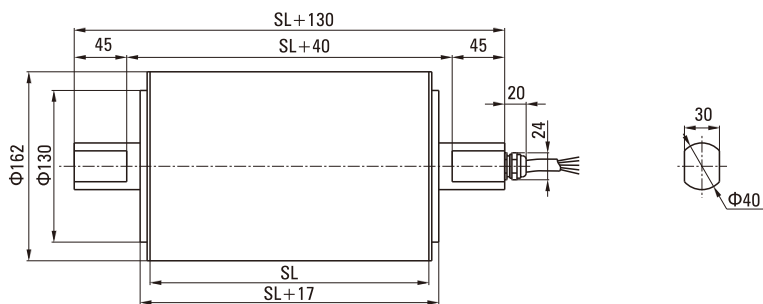
F_N : 牵引力 Traction force

gs: 齿轮级数 Gear series

n_A : 外管额定转速 Outer tube rated speed

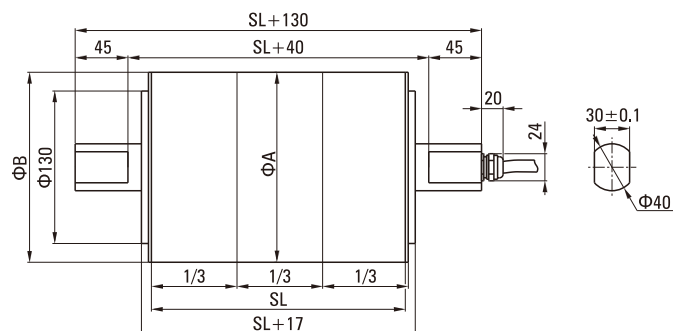
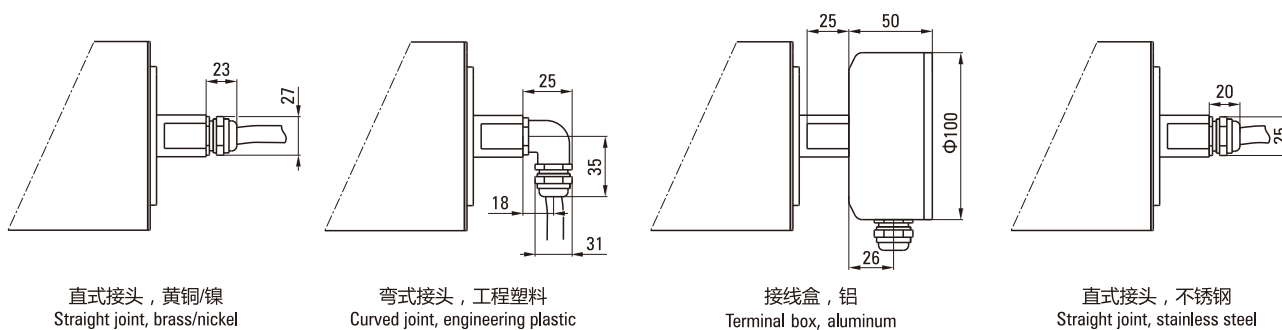
SL_{最小值}: 最短外管长度 The shortest outer tube length

DM/DMX165外形图 DM/DMX165 Outlining Dimensions



| 标准的滚筒长度和重量 Standard Drum Length And Weight: | | | | | | | | | | | | | |
|---|-------|------|------|------|------|------|------|------|------|------|------|------|------|
| 外管长度 SL单位: mm Outer Tube Length SL Unit: mm | 400 | 450 | 500 | 550 | 600 | 650 | 700 | 750 | 800 | 850 | 900 | 950 | 1000 |
| 平均重量 单位: Kg Average Weight Unit: Kg | 35.0 | 37.0 | 38.8 | 40.7 | 42.6 | 44.5 | 46.4 | 48.3 | 50.2 | 52.1 | 54.0 | 55.9 | 57.8 |
| 最大功率 (kW) Maximum Power (kW) | 4P | 1.5 | | | | | | | | | | | |
| | 2P | 2.2 | | | | | | | | | | | |
| 最大速比 Slowest Ratio | 61.96 | | | | | | | | | | | | |
| 最小速比 Minimum Speed Ratio | 9.86 | | | | | | | | | | | | |

DM/DMX165安装图 DM/DMX165 Installation Diagram



| 类型 Type | ΦA mm | ΦB mm |
|---|-------|-------|
| 165i冠状外管 165i tube | 164 | 162 |
| 165i圆柱形外管 165i cylindrical tube | 164 | 164 |
| 165i圆柱形外管+键 165i cylindrical tube + key | 164 | 164 |

DM/DMX165选项表-电动滚筒 DM/DMX165 Option - Drum Motor

| 部件说明 Component Description | 电动滚筒 Drum Motor |
|---|-----------------|
| 筒体 Drum shell | |
| 碳钢冠状筒体 Carbon steel tube body | 1 |
| 碳钢直式筒体 Carbon steel straight drum | 2 |
| 不锈钢 (标准304) 冠状筒体 Stainless steel (standard 304) coronal tube body | 2 |
| 不锈钢 (标准304) 直式筒体 Stainless steel (standard 304) straight drum | 2 |
| 特殊冠状及凹槽型 Special coronal and groove type | 3 |
| 前后端盖 Front end cover | |
| 铸铝端盖 Cast aluminum cover | 1 |
| 镀镍铸铝端盖 Nickel plated aluminum cover | 2 |
| 不锈钢 (标准304) 端盖 Stainless steel (standard 304) end cover | 2 |
| 前后轴 Front and rear shaft | |
| 碳钢轴 Carbon steel shaft | 1 |
| 不锈钢轴 Stainless steel shaft | 2 |
| 电机 Motor | |
| 单相或三相异步电动机 Single phase or three phase asynchronous motor | 1 |
| 电压1*220V/50Hz或3*380V/50Hz Voltage 1*220V/50Hz or 3*380V/50Hz | 1 |
| 50Hz或60Hz条件下的全球通用电压 Global common voltage under 50Hz or 60Hz conditions | 1 |
| 加装电机过热保护器 Thermal protector | 1 |
| 低温环境用油 Low temperature environment | 2 |
| 食品级油&脂 (FDA和USDA) Food grade oil & fat (FDA and USDA) | 2 |
| 电气连接 Electrical connection | |
| 不锈钢弯头 Stainless steel elbow | 3 |
| 直弯式出线 Straight curved line | 1 |
| PVC线缆 PVC cable | 1 |
| 低烟无卤素线缆 Low smoke halogen free cable | 2 |
| 铸铝端子盒 Cast terminal box | 1 |
| 镀镍铸铝端子盒 Nickel plated aluminum terminal box | 1 |
| 不锈钢端子盒 Stainless steel terminal box | 1 |
| 其他选项 Other options | |
| 电磁制止器 Electromagnetic stop device | 2 |
| 可垂直或倾斜安装 Vertical or inclined installation | 3 |
| 连接变频器 Connected converter | 2 |

备注Note:

1-标准装配选项
1-Standard option

2-非标准常用选项
2-Non-standard option

3-限制性选项，选择时应与制造商确认
3-Restrained option, contact manufacturer if needed