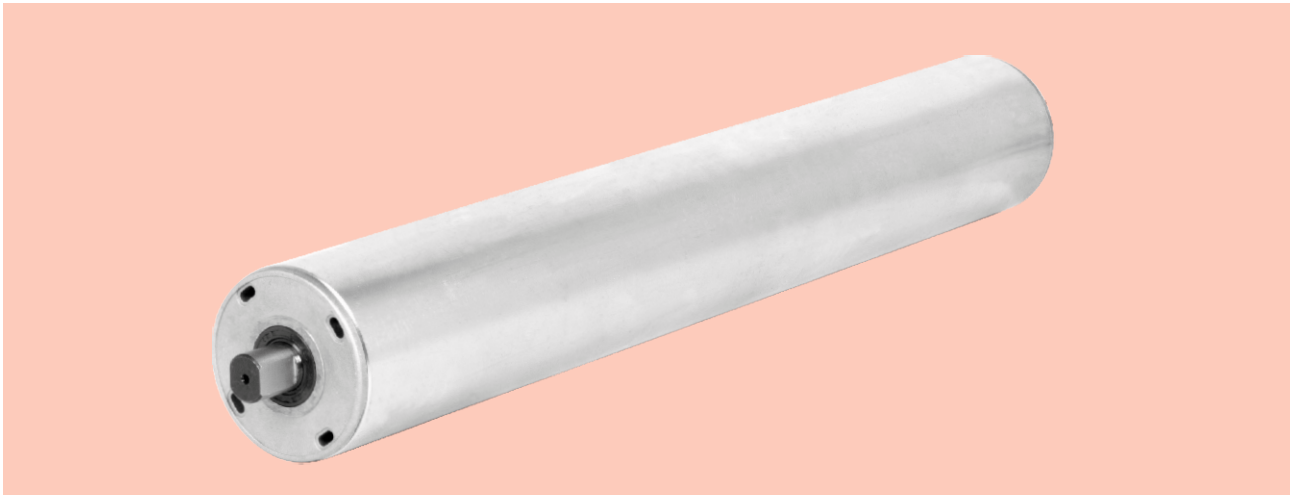


## DM70电动滚筒 DM70 DRUM MOTOR



P10

### 产品信息 Product Information

此款电动滚筒是空间有限，高扭矩的场合理想化选择，采用高合金钢精磨齿轮和行星传动结构为主体设计，具有性能可靠、免维护、免加油、适合较小的安装空间等诸多优点。适用于多个领域：

This type of drum motor can be installed in limited space and meet the torque requirement. Using alloy steel grinded gears and planetary transmission structure, it is reliable, free of maintenance and oil-renewing, space-saving. It can be use in many fields:

- 超市收银台 Supermarket cashier
- 包装机械 Packaging machinery
- 皮带输送线 Belt conveyor line

### DM70电动滚筒特征 DM70 Characteristics Of Drum Motor

#### ● 筒体 Drum Shell

- 标准筒体为低碳钢材质 • 食品级筒体为304不锈钢
- Material of standard drum shell is mild steel • Food garde shell is 304 stainless steel

#### ● 齿轮传动 Gear Drive

- 高合金钢精磨齿轮 • 行星齿轮传动
- High alloy steel precision • Planetary gear transmission

#### ● 齿轮箱 Gearbox

- 确保传动时低噪音，采用新型聚合物行星轮和金属齿轮组合变速箱
- Ensure the transmission with low noise, using the new polymer planet wheel and metal gear transmission

#### ● 电机 Motor

- 频率在50Hz或60Hz时，适用于全球各种通用电压 • 电机绝缘等级F级 • 所有电机附带热保护器 • 散放线，出线长度0.5米
- When 50Hz or 60Hz is used, it can be applied to all kinds of universal voltage • Motor insulation class F • All motor with thermal protection • Loose wire, outlet length 0.5M

#### ● 密封等级 Seal Level

- 轴端采用骨架油封密封 • 电动滚筒的密封防护等级为IP40/IP54
- Shaft end use of skeleton oil seal • Drum motor sealing protection level is IP40/IP54

#### ● 注油 Oiling

- 出厂前都已按标准加注油脂，使用后免维护，无需再加注
- Before leaving factory, all products is filled will oil in standard amount, so no need of maintenance or oil-renew

#### ● 其他 Other

- 适合多个方向安装 • 可以加装电磁制动器，但筒体的最短长度会相应加长 • 单相可以加装调速器，但不影响筒体的最短长度 • 根据客户要求，可制作各种非标准电动滚筒
- Able to be installed in multiple direction • Able to work with electromagnectic brake, but the length will be longer • Single-phase motor can work with speed control • All customized requirement can be considered

DM70单相电机机械参数 DM70 Single Phase Motor Mechanical Parameters

$P_N$ kW	np	gs	i	v m/min	$n_A$ min <sup>-1</sup>	$M_A$ Nm	$F_N$ N	SL <sub>最小值</sub> mm
0.06	2	1	3.6500	150.624	684.9	0.70	21	350
			5.3600	102.571	466.4	1.10	30	350
			6.5500	83.936	381.7	1.30	37	350
			8.6300	63.706	289.7	1.70	49	350
		2	13.530	40.634	184.8	2.40	69	350
			18.920	29.058	132.1	3.40	96	350
			24.650	22.303	101.4	4.40	126	350
			28.050	19.600	89.10	5.00	143	350
			33.920	16.208	73.70	6.10	173	350
			44.690	12.302	55.90	8.00	228	350
			58.220	9.443	42.90	10.4	297	350
			67.080	8.196	37.30	10.8	308	360
		3	81.110	6.778	30.80	13.0	373	360
			91.360	6.018	27.40	14.7	420	360
			102.88	5.344	24.30	16.6	473	360
			118.98	4.621	21.00	19.1	547	360
			127.74	4.304	19.60	20.6	587	360
			145.36	3.782	17.20	23.4	668	360
			165.64	3.319	15.10	26.6	761	360
			191.56	2.870	13.10	30.8	881	360
231.61	2.374	10.80	37.3	1065	360			
0.09	2	1	3.6500	150.624	684.9	1.10	31	360
			5.3600	102.571	466.4	1.60	46	360
			6.5500	83.936	381.7	1.90	56	360
			8.6300	63.706	289.7	2.60	73	360
		2	13.530	40.634	184.8	3.60	104	360
			18.920	29.058	132.1	5.10	145	360
			24.650	22.303	101.4	6.60	189	360
			28.050	19.600	89.10	7.50	215	360
			33.920	16.208	73.70	9.10	260	360
			44.690	12.302	55.90	12.0	342	360
			58.220	9.443	42.90	15.6	445	360
			67.080	8.196	37.30	16.2	463	360
		3	81.110	6.778	30.80	19.6	559	360
			91.360	6.018	27.40	22.0	630	360
			102.88	5.344	24.30	24.8	709	360
			118.98	4.621	21.00	28.7	820	360
			127.74	4.304	19.60	30.8	881	360
			145.36	3.782	17.20	35.1	1002	360
			165.64	3.319	15.10	40.0	1142	360
			191.56	2.870	13.10	46.2	1321	360
231.61	2.374	10.80	55.9	1597	360			

$P_N$ : 额定功率 Rated power

i: 减速比 Reduction ratio of

$M_A$ : 电动滚筒额定扭矩 Electric drum rated torque

np: 级数 Series

v: 外管额定速率 Outside the rated speed

$F_N$ : 牵引力 Traction force

gs: 齿轮级数 Gear series

$n_A$ : 外管额定转速 Outer tube rated speed

SL<sub>最小值</sub>: 最短外管长度 The shortest outer tube length

DM70三相电机机械参数 DM70 Three Phase Motor Mechanical Parameters

$P_N$ kW	np	gs	i	v m/min	$n_A$ min <sup>-1</sup>	$M_A$ Nm	$F_N$ N	SL <sub>最小值</sub> mm		
0.06	2	1	3.6500	150.624	684.9	0.70	21	350		
			5.3600	102.571	466.4	1.10	30	350		
			6.5500	83.936	381.7	1.30	37	350		
			8.6300	63.706	289.7	1.70	49	350		
		2	2	13.530	40.634	184.8	2.40	69	350	
				18.920	29.058	132.1	3.40	96	350	
				24.650	22.303	101.4	4.40	126	350	
				28.050	19.600	89.10	5.00	143	350	
				33.920	16.208	73.70	6.10	173	350	
				44.690	12.302	55.90	8.00	228	350	
				58.220	9.443	42.90	10.4	297	350	
				67.080	8.196	37.30	10.8	308	360	
			3	81.110	6.778	30.80	13.0	373	360	
				91.360	6.018	27.40	14.7	420	360	
				102.88	5.344	24.30	16.6	473	360	
				118.98	4.621	21.00	19.1	547	360	
		0.09	2	1	127.74	4.304	19.60	20.6	587	360
					145.36	3.782	17.20	23.4	668	360
					165.64	3.319	15.10	26.6	761	360
					191.56	2.870	13.10	30.8	881	360
231.61	2.374			10.80	37.3	1065	360			
2	2			3.6500	150.624	684.9	1.10	31	350	
				5.3600	102.571	466.4	1.60	46	350	
				6.5500	83.936	381.7	1.90	56	350	
				8.6300	63.706	289.7	2.60	73	350	
				13.530	40.634	184.8	3.60	104	350	
				18.920	29.058	132.1	5.10	145	350	
				24.650	22.303	101.4	6.60	189	350	
				28.050	19.600	89.10	7.50	215	350	
	3			33.920	16.208	73.70	9.10	260	350	
				44.690	12.302	55.90	12.0	342	350	
				58.220	9.443	42.90	15.6	445	350	
				67.080	8.196	37.30	16.2	463	360	
				81.110	6.778	30.80	19.6	559	360	
				91.360	6.018	27.40	22.0	630	360	
				102.88	5.344	24.30	24.8	709	360	
		118.98	4.621	21.00	28.7	820	360			
2	2	127.74	4.304	19.60	30.8	881	360			
		145.36	3.782	17.20	35.1	1002	360			
		165.64	3.319	15.10	40.0	1142	360			
		191.56	2.870	13.10	46.2	1321	360			
		231.61	2.374	10.80	55.9	1597	360			
		3	3.6500	150.624	684.9	1.10	31	350		
			5.3600	102.571	466.4	1.60	46	350		
			6.5500	83.936	381.7	1.90	56	350		
	8.6300		63.706	289.7	2.60	73	350			
	2	2	13.530	40.634	184.8	3.60	104	350		
			18.920	29.058	132.1	5.10	145	350		
			24.650	22.303	101.4	6.60	189	350		
28.050			19.600	89.10	7.50	215	350			
33.920			16.208	73.70	9.10	260	350			
44.690			12.302	55.90	12.0	342	350			
58.220			9.443	42.90	15.6	445	350			
67.080			8.196	37.30	16.2	463	360			
3		81.110	6.778	30.80	19.6	559	360			
		91.360	6.018	27.40	22.0	630	360			
		102.88	5.344	24.30	24.8	709	360			
		118.98	4.621	21.00	28.7	820	360			
		127.74	4.304	19.60	30.8	881	360			
		145.36	3.782	17.20	35.1	1002	360			
		165.64	3.319	15.10	40.0	1142	360			
		191.56	2.870	13.10	46.2	1321	360			
231.61	2.374	10.80	55.9	1597	360					

$P_N$ : 额定功率 Rated power

i: 减速比 Reduction ratio of

$M_A$ : 电动滚筒额定扭矩 Electric drum rated torque

np: 级数 Series

v: 外管额定速率 Outside the rated speed

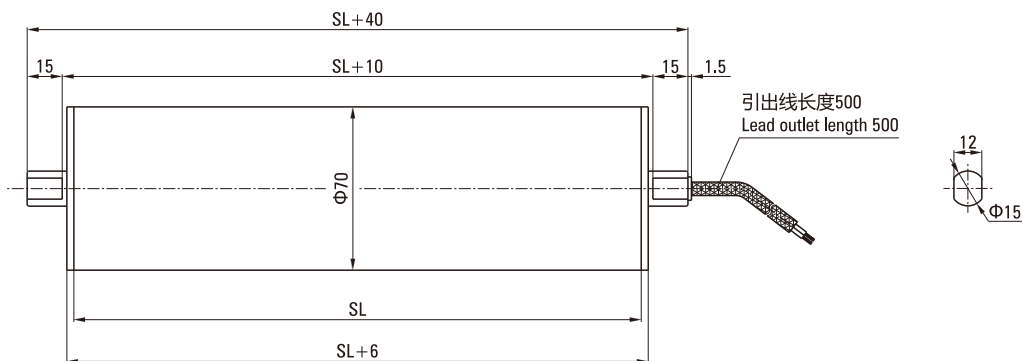
$F_N$ : 牵引力 Traction force

gs: 齿轮级数 Gear series

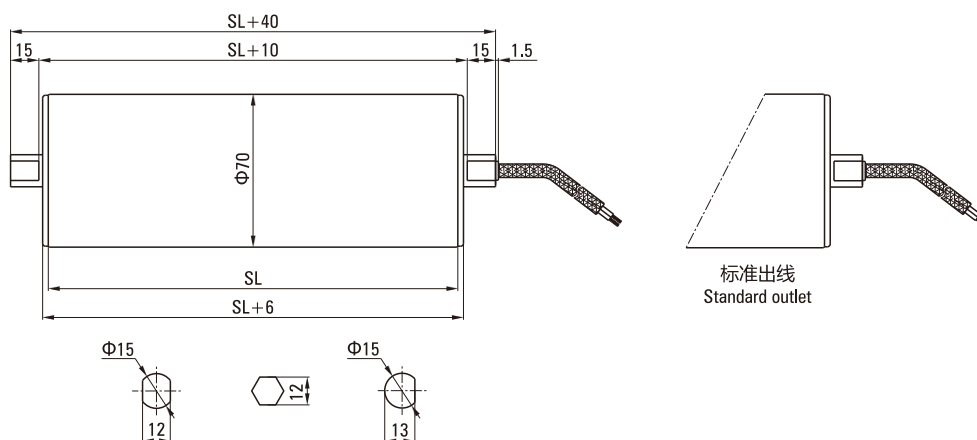
$n_A$ : 外管额定转速 Outer tube rated speed

SL<sub>最小值</sub>: 最短外管长度 The shortest outer tube length

DM70外形图 DM70 Outlining Dimensions



DM70安装图 DM70 Installation Diagram



DM70选项表-电动滚筒 DM70 Option - Drum Motor

部件说明 Component Description	电动滚筒 Drum Motor
筒体 Drum shell	
碳钢直式筒体 Carbon steel straight drum	1
不锈钢 (标准304) 直式筒体 Stainless steel (standard 304) straight drum	2
前后端盖 Front end cover	
铸铝端盖 Cast aluminum cover	1
镀镍铸铝端盖 Nickel plated aluminum cover	2
不锈钢 (标准304) 端盖 Stainless steel (standard 304) end cover	2
前后轴 Front and rare shaft	
碳钢轴 Carbon steel shaft	1
不锈钢轴 Stainless steel shaft	2
电机 Motor	
单相或三相异步电动机 Single phase or three phase asynchronous motor	1
电压1*220V/50Hz或3*380V/50Hz Voltage 1*220V/50Hz or 3*380V/50Hz	1
50Hz或60Hz条件下的全球通用电压 Global common voltage under 50Hz or 60Hz conditions	1
加装电机过热保护器 Thermal protector	1
常温环境用油脂 Oil for room temperature	2
电气连接 Electrical connection	
直式引出 Straight connector	1
其他选项 Other options	
电磁制动器 Electromagnetic brake	2
可不同方位安装 Can be installed in different directions	1
连接变频器 Connected converter	2
单相可接调速器 Single phase can work with speed controller	2
双铣扁出轴 Double flat shaft	1
D型轴出轴 D shape shaft	2
六角型轴出轴 Six angle type shaft out shaft	2

备注Note:

1-标准装配选项  
1-Standard option

2-非标准常用选项  
2-Non-standard option

3-限制性选项, 选择时应与制造商确认  
3-Restrained option, contact manufacturer if needed