

90系列永磁无刷齿轮减速电机 (GU型)

90 SERIES OF BRUSHLESS DC MOTOR (GU TYPE)

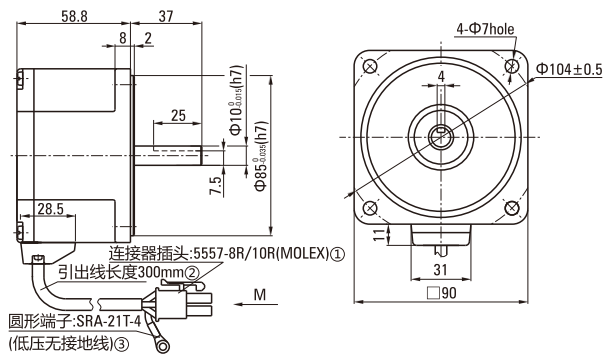
电机基本特性 Basic Characteristics Of Motor

● 120W (DC电源时适用于24VDC/36VDC/48VDC) 120W (DC Power Supply When Applied To 24VDC/36VDC/48VDC)

额定功率(连续) Rated power (Continuous)	W	120(60W/90W/120W)				
额定转速 Rated speed	r/min	3000				
额定转矩 Rated torque	N.m	0.382				
瞬时最大转矩 Instantaneous maximum torque	N.m	0.573				
转子转动惯量 Rotor moment of inertia	J:×10 ⁻⁴ kg.m ²	0.250				
速度控制范围 Speed control range	RPM	200~3000				
速率变化率 Speed control range	对负载 On load	±1.0%以下: 条件0~额定转矩、额定转速、额定电压、常温 Below ±1%: condition 0~rated torque, rated speed, rated voltage, room temperature				
	对电压 On voltage	±1.0%以下: 条件额定电压±10%、额定转速、额定负载、常温 Below ±1%: condition rated voltage ±10%, rated speed, rated load, room temperature				
	对温度 On temperature	±1.0%以下: 条件使用环境温度-10°C~+40°C额定转速、额定负载、额定电压 Below ±1%: Conditions of ambient temperature -10°C~+40°C rated voltage, rated load and rated speed				
电源输入 Power input	额定电压 Rated voltage	V	单相Single phase 110V	单相Single phase 220V	24VDC(可选Optional 36VDC/48VDC)	
	电压容许范围 Voltage tolerance range		±10%			
	频率 Frequency	Hz	50/60	/		
	频率容许范围 Frequency tolerance range		±5%	/		
	额定输入电流 Rated input current	A	3.5	2.0	6.8	
	瞬时最大输入电流 Instantaneous maximum input current	A	7.0	4.5	13.0	

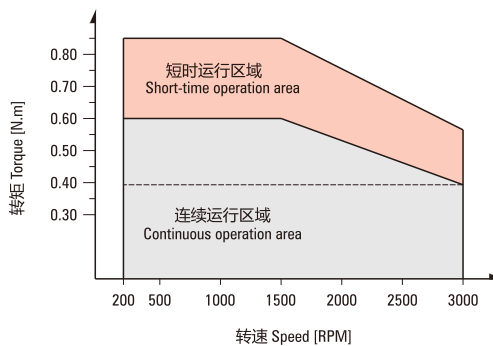
圆轴型光电机 Circular Shaft Type Optical Motor

● Z5BLD120-□A-30S □—电压 Voltage 24/36/48/110/220



①Connector: 5557-8R/10R (MOLEX) ②Lead wire length 300mm ③Round terminal: SRA-21T-4 (Low ground)

● Z5BLD120-220A-30S 曲线图 Diagram (ZD标准驱动器 ZD Standard Drive)



● 低压电机接线插孔对应信号说明

Low Voltage Wrie Plughole Corresp-onding Signal Explanation



● 高压电机接线插孔对应信号说明

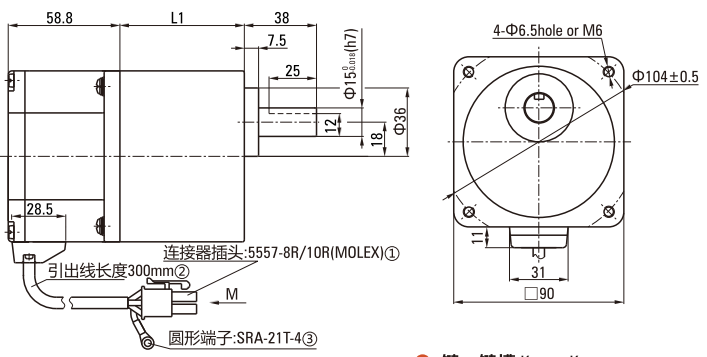
High Voltage Wrie Plughole Corresp-onding Signal Explanation



120W

● 平行轴减速机 Parallel Shaft Speed Reducer

Z5BLD120-□GU-30S/5GU□K □—电压 Voltage 24/36/48/110/220
□—速比数值 Velocity Ratio Value

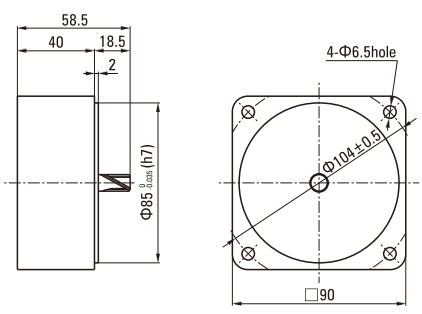


● 键·键槽 Key · Keyway



● 中间减速器 Decimal Gearhead

5GU□XK □—速比数值, 一般为10 Velocity Ratio Value, Generally 10



减速器型号 Gearhead Model	减速比 Gear Ratio	L尺寸 Dimension
5GU□K	3~200	65.5

● 减速器型号的□中为减速比的数值
Enter the gear ratio in the box (□) within the model name

①Connector: 5557-8R/10R (MOLEX) ②The sheath length of lead line 300mm ③Round terminal: SRA-21T-4

● Z5BLD60-□GU-30S/5GU□K整机容许力矩 (单位: N.m) Z5BLD60-□GU-30S/5GU□K Machine Allowable Torque (Unit: N.m)

型号 Model	电机轴转速 Motor Speed	减速比 Reduction Ratio																							
		3	3.6	5	6	7.5	9	10	12.5	15	18	20	25	30	36	50	60	75	90	100	120	150	180	200	
Z5BLD60-□GU	200~1500RPM	0.72	0.87	1.21	1.45	1.81	2.17	2.41	3.02	3.62	4.34	4.35	5.44	6.53	7.83	9.83	10.0	10.0	10.0	10.0	10.0	10.0	10.0	10.0	10.0
	2000RPM	0.61	0.74	1.02	1.23	1.53	1.84	2.04	2.55	3.06	3.68	3.68	4.60	5.52	6.63	8.32	9.98	10.0	10.0	10.0	10.0	10.0	10.0	10.0	10.0
	2500RPM	0.56	0.67	0.93	1.11	1.39	1.67	1.86	2.32	2.78	3.34	3.35	4.18	5.02	6.02	7.56	9.08	10.0	10.0	10.0	10.0	10.0	10.0	10.0	10.0
	3000RPM	0.46	0.56	0.77	0.93	1.16	1.39	1.55	1.93	2.32	2.78	2.79	3.49	4.18	5.02	6.97	7.52	9.40	10.0	10.0	10.0	10.0	10.0	10.0	10.0

● Z5BLD90-□GU-30S/5GU□K整机容许力矩 (单位: N.m) Z5BLD90-□GU-30S/5GU□K Machine Allowable Torque (Unit: N.m)

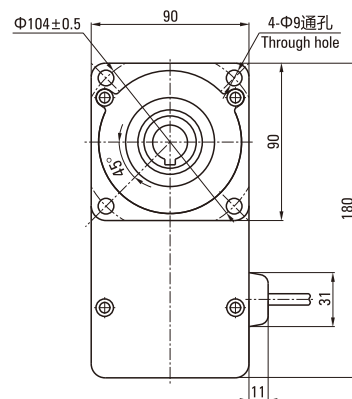
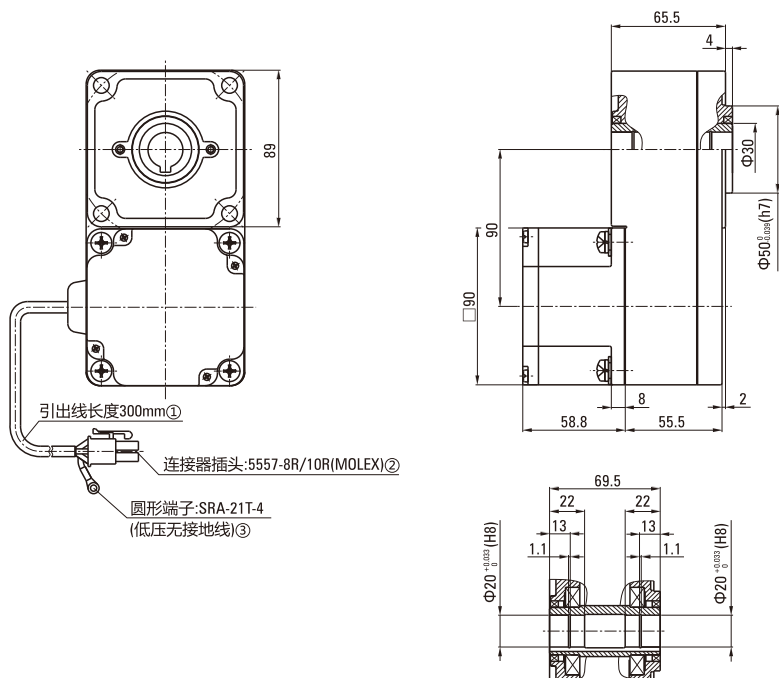
型号 Model	电机轴转速 Motor Speed	减速比 Reduction Ratio																							
		3	3.6	5	6	7.5	9	10	12.5	15	18	20	25	30	36	50	60	75	90	100	120	150	180	200	
Z5BLD90-□GU	200~1500RPM	1.09	1.30	1.81	2.18	2.72	3.26	3.62	4.53	5.43	6.52	6.53	8.16	9.79	11.8	14.7	17.7	20.0	20.0	20.0	20.0	20.0	20.0	20.0	20.0
	2000RPM	0.92	1.10	1.53	1.84	2.30	2.76	3.06	3.83	4.59	5.51	5.52	6.90	8.28	9.94	12.5	15.0	18.7	20.0	20.0	20.0	20.0	20.0	20.0	20.0
	2500RPM	0.84	1.00	1.39	1.67	2.09	2.51	2.78	3.48	4.18	5.01	5.02	6.27	7.53	9.04	11.3	13.6	17.0	20.0	20.0	20.0	20.0	20.0	20.0	20.0
	3000RPM	0.70	0.84	1.16	1.39	1.74	2.09	2.32	2.90	3.48	4.18	4.18	5.23	6.27	7.53	10.46	11.28	14.1	16.91	18.79	20.0	20.0	20.0	20.0	20.0

● Z5BLD120-□GU-30S/5GU□K整机容许力矩 (单位: N.m) Z5BLD120-□GU-30S/5GU□K Machine Allowable Torque (Unit: N.m)

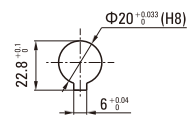
型号 Model	电机轴转速 Motor Speed	减速比 Reduction Ratio																							
		3	3.6	5	6	7.5	9	10	12.5	15	18	20	25	30	36	50	60	75	90	100	120	150	180	200	
Z5BLD120-□GU	200~1500RPM	1.45	1.74	2.41	2.90	3.62	4.34	4.35	5.44	6.53	7.83	7.87	9.83	11.8	14.2	19.7	20.0	20.0	20.0	20.0	20.0	20.0	20.0	20.0	20.0
	2000RPM	1.23	1.47	2.04	2.45	3.06	3.68	3.68	4.60	5.52	6.63	6.66	8.32	9.98	12.0	16.6	20.0	20.0	20.0	20.0	20.0	20.0	20.0	20.0	20.0
	2500RPM	1.11	1.34	1.86	2.23	2.78	3.34	3.35	4.18	5.02	6.02	6.05	7.56	9.08	10.9	15.1	18.2	20.0	20.0	20.0	20.0	20.0	20.0	20.0	20.0
	3000RPM	0.93	1.11	1.55	1.86	2.32	2.78	3.09	3.87	4.64	5.57	5.58	6.97	8.37	10.04	13.94	15.04	18.79	20.0	20.0	20.0	20.0	20.0	20.0	20.0

注Note: 表格中的□(灰底部分)表示旋转方向与电机转向一致。The □(gray) in the table indicates that the rotation direction is consistent with the motor. (不同转速及速比下的力矩为ZD标准驱动器下测试所得。The torque under different speed and speed ratio is obtained under the ZD standard.)

- L型减速机 L Type Speed Reducer
- Z5BLD120-GUL-30S/5GULC —电压 Voltage 24/36/48/110/220
- 速比数值 Velocity Ratio Value



● 输出轴内孔结构 The Output Shaft Hole Structure



①Lead wire length 300mm ②Connector: 5557-8R/10R (MOLEX) ③Round terminal: SRA-21T-4 (Low ground)

- Z5BLD60-GUL-30S/5GULC整机容许力矩 (单位: N.m) Z5BLD60-GUL-30S/5GULC Machine Allowable Torque (Unit: N.m)

电机轴转速 Motor Speed	减速比 Reduction Ratio	5	10	15	20	30	50	100	200
200~1500RPM		1.09	2.18	3.26	4.35	6.53	10.9	21.8	43.5
2000RPM		0.92	1.84	2.76	3.68	5.52	9.20	18.4	36.8
2500RPM		0.84	1.67	2.51	3.35	5.02	8.37	16.7	33.5
3000RPM		0.70	1.39	2.09	2.79	4.18	6.97	13.94	27.89

- Z5BLD90-GUL-30S/5GULC整机容许力矩 (单位: N.m) Z5BLD90-GUL-30S/5GULC Machine Allowable Torque (Unit: N.m)

电机轴转速 Motor Speed	减速比 Reduction Ratio	5	10	15	20	30	50	100	200
200~1500RPM		1.63	3.26	4.90	6.53	9.79	16.3	32.6	65.3
2000RPM		1.38	2.76	4.14	5.52	8.28	13.8	27.6	55.2
2500RPM		1.25	2.51	3.76	5.02	7.53	12.5	25.1	50.2
3000RPM		1.05	2.09	3.14	4.18	6.27	10.46	20.91	41.83

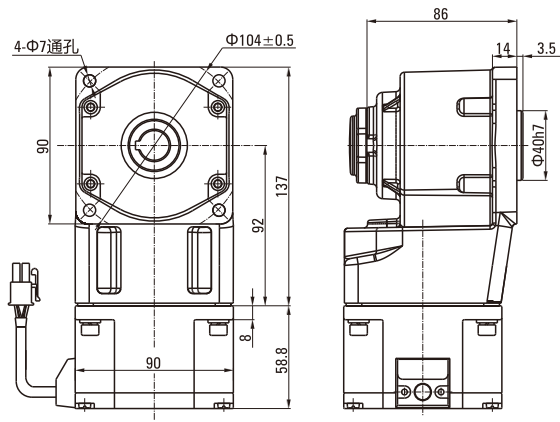
- Z5BLD120-GUL-30S/5GULC整机容许力矩 (单位: N.m) Z5BLD120-GUL-30S/5GULC Machine Allowable Torque (Unit: N.m)

电机轴转速 Motor Speed	减速比 Reduction Ratio	5	10	15	20	30	50	100	200
200~1500RPM		2.41	4.83	7.24	9.65	13.1	21.8	43.5	68.0
2000RPM		2.04	4.08	6.13	8.17	11.0	18.4	36.8	66.6
2500RPM		1.86	3.71	5.57	7.43	10.0	16.7	33.5	60.5
3000RPM		1.39	2.79	4.18	5.58	8.37	13.94	27.89	55.77

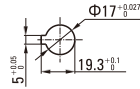
注Note: 表格中的所有速比旋转方向与电机转向相反。All gearbox output turn direction in form are opposite as motor turn direction.
(不同转速及速比下的力矩为ZD标准驱动器下测试所得。The torque under different speed and speed ratio is obtained under the ZD standard.)

● 弧锥直角减速电机 Arc Cone Right Angle Speed Reducer Motor

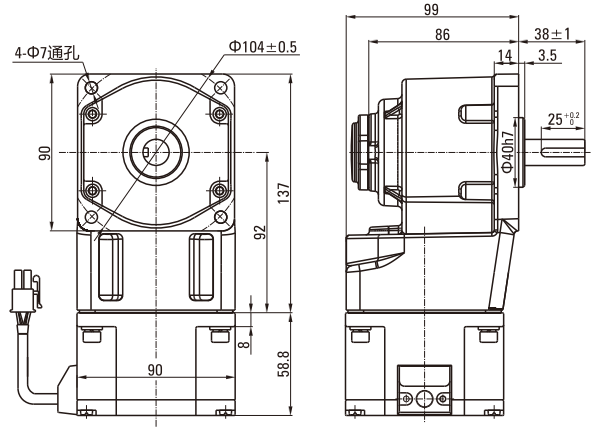
Z5BLD120-GU-30S/5GURC —电压 Voltage 24/36/48/110/220
—速比数值 Velocity Ratio Value



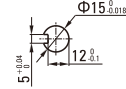
输出轴结构



Z5BLD120-GU-30S/5GURT —电压 Voltage 24/36/48/110/220
—速比数值 Velocity Ratio Value



输出轴结构



● Z5BLD60-GU-30S/5GURC/RT整机容许力矩 (单位: N.m) Z5BLD60-GU-30S/5GURC/RT Machine Allowable Torque (Unit: N.m)

型号 Model	电机轴转速 Motor Speed	减速机容许力矩 (单位: N.m)																	
		7.5	9	10	12.5	15	18	20	25	30	36	50	60	75	90	100	120	150	180
Z5BLD60- <input checked="" type="checkbox"/> GU	200~1500RPM	1.81	2.17	2.41	3.02	3.62	4.34	4.35	5.44	6.53	7.83	9.83	10.0	10.0	10.0	10.0	10.0	10.0	10.0
	2000RPM	1.53	1.84	2.04	2.55	3.06	3.68	3.68	4.60	5.52	6.63	8.32	9.98	10.0	10.0	10.0	10.0	10.0	10.0
	2500RPM	1.39	1.67	1.86	2.32	2.78	3.34	3.35	4.18	5.02	6.02	7.56	9.08	10.0	10.0	10.0	10.0	10.0	10.0
	3000RPM	0.95	1.13	1.26	1.58	1.89	2.27	2.52	3.15	3.78	5.02	6.97	8.37	10.0	10.0	10.0	10.0	10.0	10.0

● Z5BLD90-GU-30S/5GURC/RT整机容许力矩 (单位: N.m) Z5BLD90-GU-30S/5GURC/RT Machine Allowable Torque (Unit: N.m)

型号 Model	电机轴转速 Motor Speed	减速机容许力矩 (单位: N.m)																	
		7.5	9	10	12.5	15	18	20	25	30	36	50	60	75	90	100	120	150	180
Z5BLD90- <input checked="" type="checkbox"/> GU	200~1500RPM	2.72	3.26	3.62	4.53	5.43	6.52	6.53	8.16	9.79	11.8	14.7	17.7	20.0	20.0	20.0	20.0	20.0	20.0
	2000RPM	2.30	2.76	3.06	3.83	4.59	5.51	5.52	6.90	8.28	9.94	12.5	15.0	18.7	20.0	20.0	20.0	20.0	20.0
	2500RPM	2.09	2.51	2.78	3.48	4.18	5.01	5.02	6.27	7.53	9.04	11.3	13.6	17.0	20.0	20.0	20.0	20.0	20.0
	3000RPM	1.42	1.70	1.89	2.36	2.84	3.40	3.78	4.73	5.67	7.53	10.46	12.55	15.69	18.82	20.0	20.0	20.0	20.0

● Z5BLD120-GU-30S/5GURC/RT整机容许力矩 (单位: N.m) Z5BLD120-GU-30S/5GURC/RT Machine Allowable Torque (Unit: N.m)

型号 Model	电机轴转速 Motor Speed	减速机容许力矩 (单位: N.m)																	
		7.5	9	10	12.5	15	18	20	25	30	36	50	60	75	90	100	120	150	180
Z5BLD120- <input checked="" type="checkbox"/> GU	200~1500RPM	3.62	4.34	4.35	5.44	6.53	7.83	7.87	9.83	11.8	14.2	19.7	20.0	20.0	20.0	20.0	20.0	20.0	20.0
	2000RPM	3.06	3.68	3.68	4.60	5.52	6.63	6.66	8.32	9.98	12.0	16.6	20.0	20.0	20.0	20.0	20.0	20.0	20.0
	2500RPM	2.78	3.34	3.35	4.18	5.02	6.02	6.05	7.56	9.08	10.9	15.1	18.2	20.0	20.0	20.0	20.0	20.0	20.0
	3000RPM	1.89	2.27	2.52	3.15	3.78	4.54	5.04	6.30	7.56	10.04	13.94	16.73	20.0	20.0	20.0	20.0	20.0	20.0

注Note: 表格中的 (灰底部分) 表示旋转方向与电机转向一致。The (gray) in the table indicates that the rotation direction is consistent with the motor. (不同转速及速比下的力矩为ZD标准驱动器下测试所得。The torque under different speed and speed ratio is obtained under the ZD standard.)