

70系列永磁无刷齿轮减速电机

70 SERIES OF BRUSHLESS DC MOTOR

电机基本特性 Basic Characteristics Of Motor

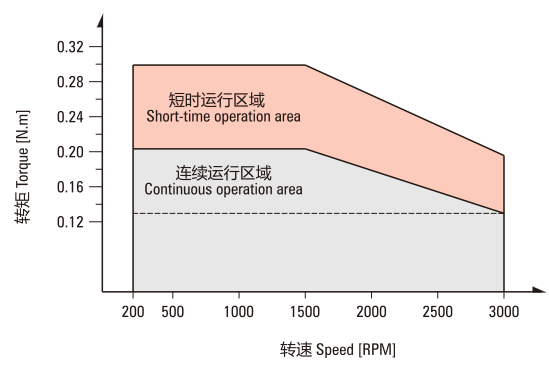
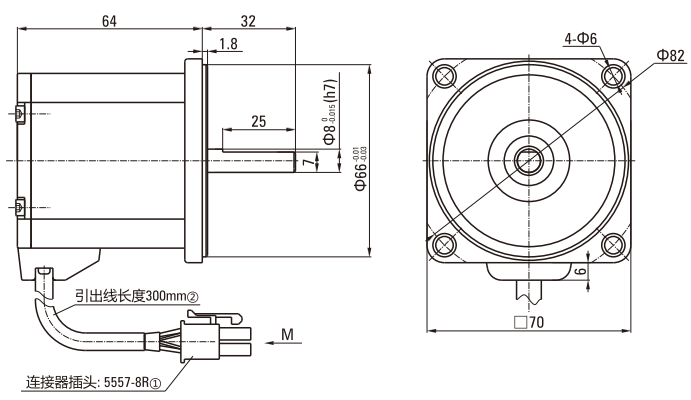
● 40W (DC电源时适用于24VDC/36VDC/48VDC) 40W (DC Power Supply When Applied To 24VDC/36VDC/48VDC)

额定功率(连续) Rated power (Continuous)	W	40(40W)			
额定转速 Rated speed	r/min	3000			
额定转矩 Rated torque	N.m	0.127			
瞬时最大转矩 Instantaneous maximum torque	N.m	0.191			
转子转动惯量 Rotor moment of inertia	J:X10 ⁻⁴ kg.m ²	0.082			
速度控制范围 Speed control range	RPM	200~3000			
速率变化率 Speed control range	对负载 On load	±1.0%以下: 条件0~额定转矩、额定转速、额定电压、常温 Below ±1%: condition 0~rated torque, rated speed, rated voltage, room temperature			
	对电压 On voltage	±1.0%以下: 条件额定电压±10%、额定转速、额定负载、常温 Below ±1%: condition rated voltage ±10%, rated speed, rated load, room temperature			
	对温度 On temperature	±1.0%以下: 条件使用环境温度-10°C~+40°C额定转速、额定负载、额定电压 Below ±1%: Conditions of ambient temperature -10°C~+40°C rated voltage, rated load and rated speed			
电源输入 Power input	额定电压 Rated voltage	V	24VDC(可选Optional 36VDC/48VDC)		
	电压容许范围 Voltage tolerance range		±10%		
	频率 Frequency	Hz	50/60	/	
	频率容许范围 Frequency tolerance range		±5%		
	额定输入电流 Rated input current	A	1.7	1.0	3.7
	瞬时最大输入电流 Instantaneous maximum input current	A	3.3	1.9	5.6

圆轴型光电机 Circular Shaft Type Optical Motor

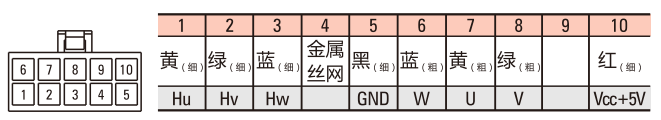
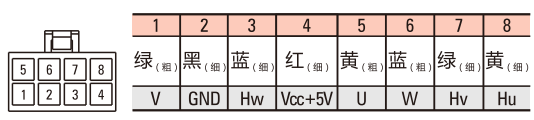
● Z3BLD40-□A-30S □—电压 Voltage 24/36/48

● Z3BLD40-220A-30S 曲线图 Diagram (ZD标准驱动器 ZD Standard Drive)



● 低压电机接线插孔对应信号说明
Low Voltage Wire Plughole Corresponding Signal Explanation

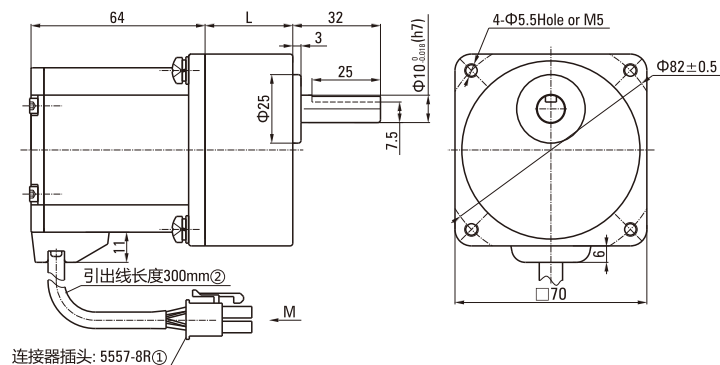
● 高压电机接线插孔对应信号说明
High Voltage Wire Plughole Corresponding Signal Explanation



40W

● 平行轴减速机 Parallel Shaft Speed Reducer

Z3BLD40-□GN-30S/3GN□K □—电压 Voltage 24/36/48
□—速比数值 Velocity Ratio Value

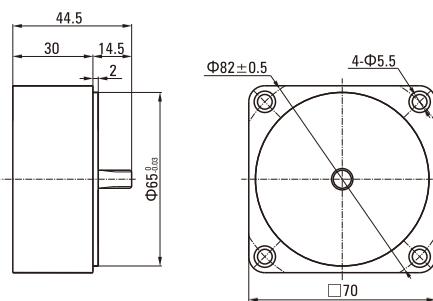


● 键·键槽 Key · Keyway



● 中间减速器 Decmal Gearhead

3GN□XK □—速比数值, 一般为10 Velocity Ratio Value, Generally 10



减速器型号 Gearhead Model	减速比 Gear Ratio	L尺寸 Dimension
3GN□K	3~18	32&42
	20~200	42

● 减速器型号的□中为减速比的数值
Enter the gear ratio in the box (□) within the model name

● Z3BLD40-□GN-30S/3GN□K整机容许力矩 (单位: N.m) Z3BLD40-□GN-30S/3GN□K Machine Allowable Torque (Unit: N.m)

型号 Model	电机轴转速 Motor Speed	减速比 Reduction Ratio																						
		3	3.6	5	6	7.5	9	10	12.5	15	18	20	25	30	36	50	60	75	90	100	120	150	180	200
Z3BLD40-□GN	200~1500RPM	0.48	0.58	0.80	0.97	1.21	1.45	1.61	2.01	2.41	2.90	2.90	3.63	4.35	5.22	7.25	7.87	8.00	8.00	8.00	8.00	8.00	8.00	8.00
	2000RPM	0.41	0.49	0.68	0.82	1.02	1.23	1.36	1.70	2.04	2.45	2.45	3.07	3.68	4.42	6.13	6.66	8.00	8.00	8.00	8.00	8.00	8.00	8.00
	2500RPM	0.37	0.45	0.62	0.74	0.93	1.11	1.24	1.55	1.86	2.23	2.23	2.79	3.35	4.02	5.58	6.05	7.56	8.00	8.00	8.00	8.00	8.00	8.00
	3000RPM	0.31	0.37	0.52	0.62	0.77	0.93	1.03	1.29	1.55	1.86	1.86	2.32	2.79	3.35	4.65	5.01	6.26	7.52	8.00	8.00	8.00	8.00	8.00

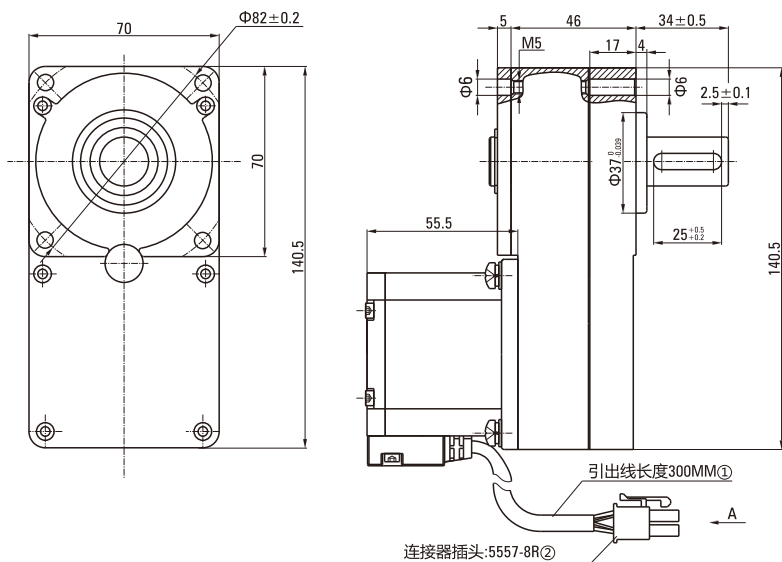
● Z3BLD60-□GN-30S/3GN□K整机容许力矩 (单位: N.m) Z3BLD60-□GN-30S/3GN□K Machine Allowable Torque (Unit: N.m)

型号 Model	电机轴转速 Motor Speed	减速比 Reduction Ratio																						
		3	3.6	5	6	7.5	9	10	12.5	15	18	20	25	30	36	50	60	75	90	100	120	150	180	200
Z3BLD60-□GN	200~1500RPM	0.72	0.87	1.21	1.45	1.81	2.17	2.41	3.02	3.62	4.34	4.35	5.44	6.53	7.83	8.00	8.00	8.00	8.00	8.00	8.00	8.00	8.00	8.00
	2000RPM	0.61	0.74	1.02	1.23	1.53	1.84	2.04	2.55	3.06	3.68	3.68	4.60	5.52	6.63	8.00	8.00	8.00	8.00	8.00	8.00	8.00	8.00	8.00
	2500RPM	0.56	0.67	0.93	1.11	1.39	1.67	1.86	2.32	2.78	3.34	3.35	4.18	5.02	6.02	8.00	8.00	8.00	8.00	8.00	8.00	8.00	8.00	8.00
	3000RPM	0.46	0.56	0.77	0.93	1.16	1.39	1.55	1.93	2.32	2.78	2.79	3.49	4.18	5.02	6.97	7.52	8.00	8.00	8.00	8.00	8.00	8.00	8.00

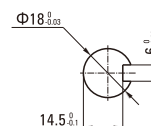
注Note: 表格中的□(灰底部分)表示旋转方向与电机转向一致。The □(gray) in the table indicates that the rotation direction is consistent with the motor.
(不同转速及速比下的力矩为ZD标准驱动器下测试所得。The torque under different speed and speed ratio is obtained under the ZD standard.)

● L型减速机 L Type Speed Reducer

Z3BLD40-□GNL-30S/3GN□LC □—电压 Voltage 24/36/48
□—速比数值 Velocity Ratio Value



● 输出轴结构 The Output Structure



①Lead wire length 300mm ②Connector: 5557-8R/8R (MOLEX)