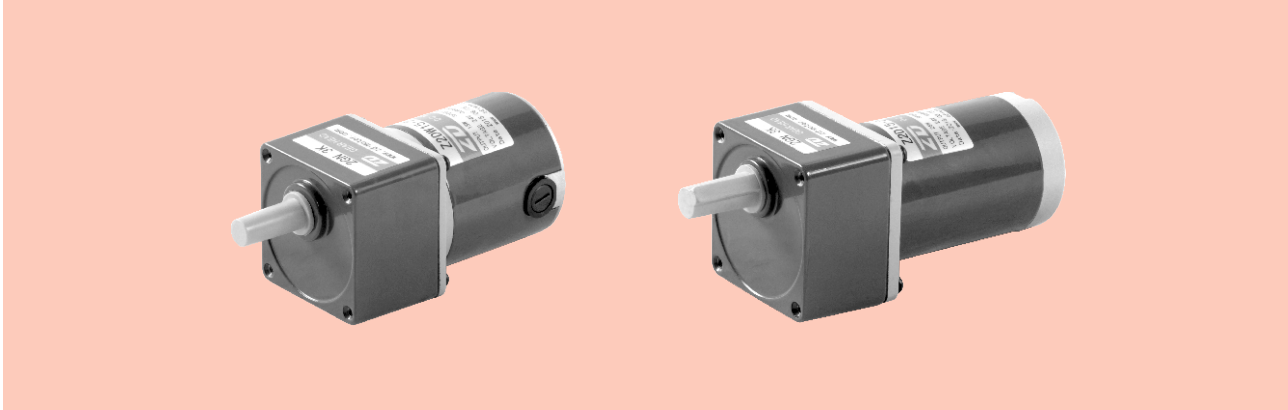


直流电动机 DC MOTORS

■ 15W □ 60mm



电机性能参数 Motor Performance Parameters

型号 Model	电压 Voltage V	功率 Power W	空载参数No-load Parameters		负载参数Load Parameters			电刷寿命 Brush Life H	电机重量 Motor Weight kg
			转速Speed r/min	电流Current A	转速Speed r/min	力矩Torque mN.m	电流Current A		
Z2D15-12 □	12	15	3200	0.8Max.	2950	48	2.0	2000	0.9
Z2DW15-12□	12	15	3200	0.8Max.	2950	48	2.0	2000	0.9
Z2D15-24 □	24	15	3300	0.4Max.	3000	48	1.0	2000	0.9
Z2DW15-24□	24	15	3300	0.4Max.	3000	48	1.0	2000	0.9
Z2D15-90 □	90	15	3200	0.2Max.	3000	48	0.4	2000	0.9
Z2DW15-90□	90	15	3200	0.2Max.	3000	48	0.4	2000	0.9

- 电机电压、功率及转速可在配件尺寸等条件下根据客户要求定制。
Motor voltage, power and speed will be customized according to his requestment under the allowed circumstance of adoptable dimension.
- D后如加W即Z2DW06-12GN表示外置电刷齿轴电机，如无W则为标准内置电刷齿轴电机：外置电刷电机，用户可自行在外部更换电刷；内置电刷电机更换电刷时需将电机拆装后方可更换。
We use W after D in the model to express the external brush motor, such as Z2DW06-12GN. If no W, it means the standard internal brush motor. For external brush motor, you can replce the brush directly. For internal ones, we need to disassembly the motor first.

种类 Type

电动机 Motor

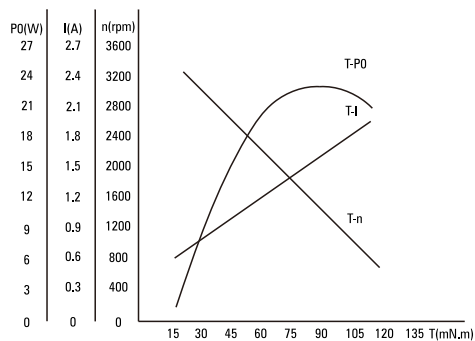
机型 Type	型号Model	
	齿轮轴型 Pinion Shaft	圆轴型 Round Shaft
导线型 Lead Wire Type	Z2D15-12GN	Z2D15-12A
	Z2DW15-12GN	Z2DW15-12A
	Z2D15-24GN	Z2D15-24A
	Z2DW15-24GN	Z2D15-24A
	Z2D15-90GN	Z2D15-90A
	Z2DW15-90GN	Z2DW15-90A

平行轴减速器 (另售) Parallel Shaft Gearhead (Sold Separately)

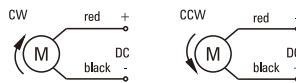
减速器种类 Gearhead Type	减速器型号 Gearhead Model	减速比 Gear Ratio
长寿命•低噪音 Long Life • Low Noise	2GN□K	3、3.6、5、6、7.5、9、10、12.5、15、18、20、25、30、36、40、50、60、75、90、100、120、150、180、200
	2GN10XK (中间减速器 Decimal Gearhead)	

- 减速器型号的□中为减速比的数值
Enter the gear ratio in the box (□) within the model name

电机特性曲线 Characteristic Curve Of Motor



电机接线图 Wiring Diagram Of Motor



- 标准引出线长度: 300mm±10, 型号: UL1015, 规格: AWG20; 电机引出线长度、型号在配件尺寸等条件允许的情况下可根据客户要求定制。
Stanclard length of lead wire: 300mm±10, model: UL1015, type: AWG20; lead wire length, model will be customerised by dient requestmant under allowed circumstance of adoptable dimension,

■ 装有减速器时的容许转矩 Gear Motor-Torque Table

- 减速器另售·中间减速器另售。
Gearheads are sold separately. Decimal gearheads are not available.
- 减速品型号的□中为减速比的数值。
Enter the gear ratio in the box (□) within the model name.
- □色表示与电动机同一方向运转，其他则为相反方向。
The colored background □ indicates the same rotating direction of the motor while the rotating direction of others are opposite.
- 转速是以电动机的额定转速为基准除以减速比而算出来的数值。实际转速将随负载大小变化而比所示数值减少2%~20%左右。
The speed is calculated by dividing the motor's synchronous speed by the gear ratio. The actual speed is 2%~20% less than the displayed value, depending on the size of the load.
- 希望以大于下表的减速比进行进一步减速时，可在电动机与减速机之间安装减速比为10的中间减速器。
这时的容许转矩为3N·m。
To reduce the speed beyond the gear ratio in the table, attach a decimal gearhead (gear ratio:10) between the gearhead and motor. In that case, the permissible torque is 3N·m.

■ 容许力矩单位 Allowance Torque Unit : 上段 Upside (N.m) /下段 Belowside (kgf.cm)

型号 Type	减速比 Gear Ratio	3	3.6	5	6	7.5	9	10	12.5	15	18	20	25	30	36	40	50	60	75	90	100	120	150	180	200
Z2D15-24GN	转速 Speed r/min	1000	833	600	500	400	333	300	240	200	167	150	120	100	83	75	60	50	40	33	30	25	20	17	15
	2GN□K	0.12	0.14	0.19	0.23	0.29	0.35	0.39	0.48	0.58	0.70	0.70	0.87	1.04	1.25	1.39	1.74	1.88	2.35	2.82	3.00	3.00	3.00	3.00	3.00
		1.14	1.36	1.90	2.27	2.84	3.41	3.79	4.74	5.69	6.82	6.82	8.53	10.23	12.28	13.65	17.1	18.4	23.0	27.6	30.0	30.0	30.0	30.0	30.0

■ 容许悬挂负载 · 容许轴向负载 To Allow The Hoisting Of The Load Allow Axial Load

电动机 (圆轴型) → 215页

Motor (Round shaft) → P215

减速机 → 215页

Gearhead → P215

■ 减速机的容许负载惯性惯量 J Permissible Load Inertia J For Gearhead

→ 215页 → P215

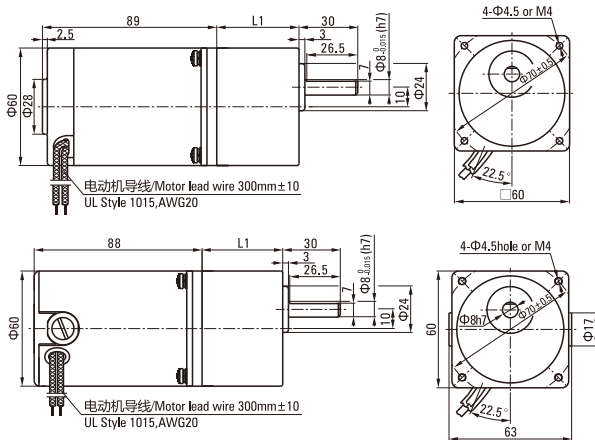
■ 外形图 (单位 mm) Dimensions (Unit mm)

减速机附有安装用螺丝 Mounting screws are included with gearhead.

● 导线型 Lead Wiring Type

重量 Weight : 电动机 Motor : 0.9kg

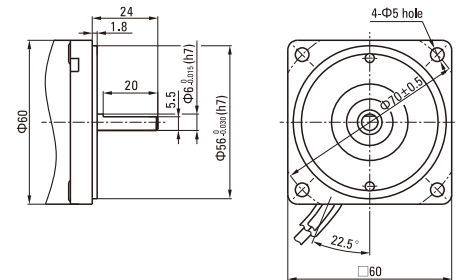
减速机 Gearhead : 0.4kg



● 圆轴型的转轴部分 Shaft Section Of Round Shaft Type

除重量及轴部外电动机外形与齿轮轴型相同。

Excluding weight and the shaft section motor shape are the same as those of the pinion shaft type.

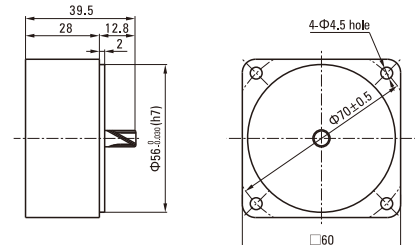


● 中间减速器 Decimal Gearhead

可安装在GN齿轮轴型上 Can be connected to GN pinion shaft type
电动机外形与齿轮轴型相同

2GN10X

重量 Weight : 0.24kg



电动机型号 Motor Model	减速器型号 Gearhead Model	减速比 Gear Ratio	L1
Z2D15-12GN Z2DW15-12GN Z2D15-24GN Z2DW15-24GN Z2D15-90GN Z2DW15-90GN	2GN□K	3~200	41

- 减速器型号的□中为减速比的数值 Enter the gear ratio in the box (□) within the model name
- 减速比3~18可以做成短箱体 (L1=32) Gear ratio 3~18, short case is possible (L1=32)