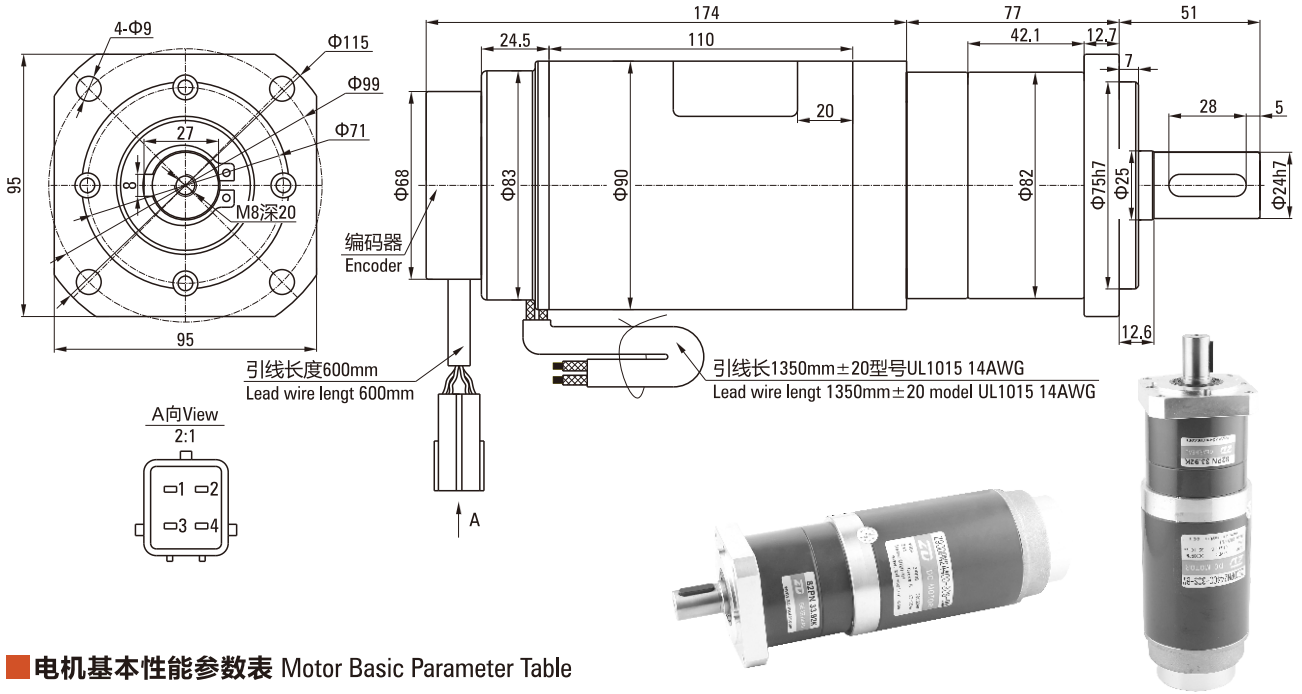


# 90DP+82PN助力转向 90DP+82PN POWER STEERING

## Z90DPN24400-30S-BM/82PN33.92



电机基本性能参数表 Motor Basic Parameter Table

型号 Type	Z90DP24400-30S-BM	齿轮箱与电机输出轴旋向 Gearbox direction	相同 Same as motor
额定电压 Rated voltage	24V DC	轴承型式 Bearing type	滚动轴承 Ball bearing
额定功率 Rated power	200W	齿轮箱结构 Gearbox structure	一体式 Integrated
额定电流 Rated current	24A±10%	传动效率 Efficiency	81%
额定转速 Rated speed	3200rpm±10%	整机额定输出扭矩 Gearbox rated torque	35N.m
额定力矩 Rated torque	1.27N.m	瞬间最大允许扭矩 Gearbox max torque	1.5倍于额定 1.5 x rated
空载电流 Noload current	≤3.5A	使用环境温度 Ambient temperature	-10°C~+40°C
空载转速 Noload speed	3600rpm±10%	噪音 Noise	< 60dB(L=100cm)
工作制 Work duty	S2(10min)	电机接线图 Wire diagram	
绝缘电阻 Insulation resistance	>20MΩ		
电刷寿命 Brush life	2000h		
电气强度 Electrical strength	660V/S		
绝缘等级 Insulation class	B		
防护等级 Protection grade	IP20		
齿轮箱规格 Gearbox spec	82PN33.92K		
减速级数 Reduction stage	2		

## 技术要求 Technical Requirement

- 电机基本参数如图纸中的铭牌数据；Motor basic parameters are as nameplate in drawing shows;
- 红色引线接正和黑色引接负，从轴的伸出端看电机顺时针转，引线位置对调，电机的转向相反；The red lead is connected to the positive and the black lead is connected to the negative. Seen from the brake installation end, the drive wheel turns clockwise. When the lead position is reversed, the drive wheel turns in the opposite direction;
- 电刷工作寿命为2000个小时；The working life of the brush is 2000 hours;
- 引出线长度：1350mm±20，型号：UL1015，规格：AWG14、铭牌粘贴，如图所示，距离前端盖20mm处；Lead wire lengt: 1350mm±20, model: UI1015, spec: AWG14、the nameplate is sticky, as shown in the figure, 20mm from the front cover;
- 减速器配合螺钉要紧凑，固定前需涂抹螺纹防松胶；Screws of gearbox and motor should be firmly tightened and threaded glue should be appied before tightening;

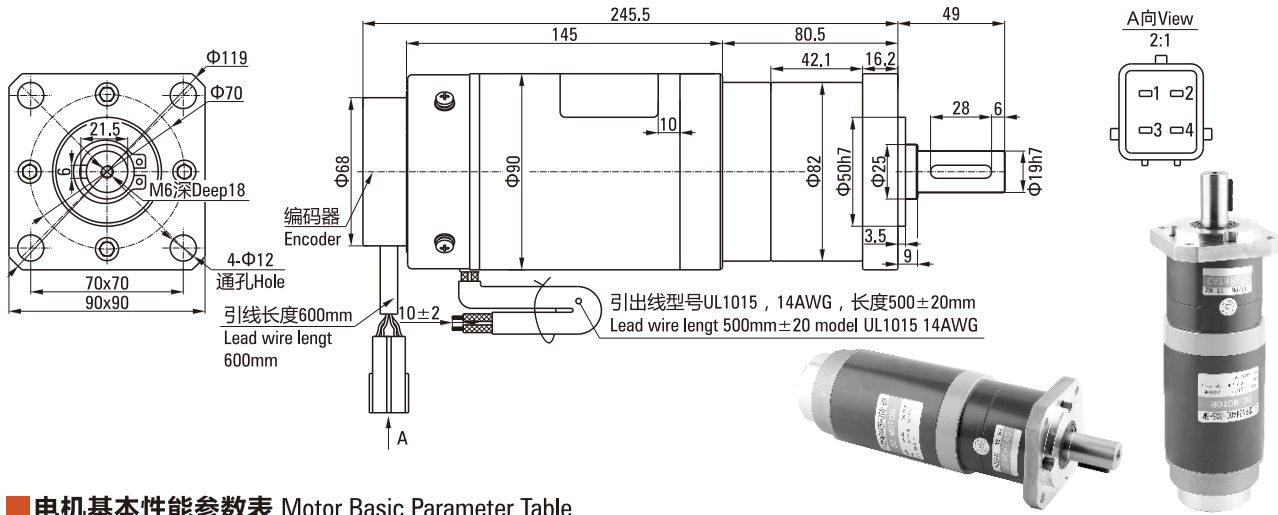
- 电机配合用定位销和减速器表面配合用定位销均在光电机和整机装配测试完成之后；Screws of gearbox and motor should be firmly tightened and threaded glue should be appied before tightening;
- 64位编码器外购，中大自行安装；64-bit encoder purchased, installde by ZD itself;
- 按客户要求使用中性铭牌。Use neutral nameplates according to customer requirements.

## 64位编码器接线定义 64-bit Encoder Wiring Definition

序号 No.	颜色 Color	功能 Function
1	红色 Red	VCC+5V
2	黑色 Black	GND
3	蓝色 Blue	A相 Phase
4	黄色 Yellow	B相 Phase

# 90DP+82PN助力转向 90DP + 82PN POWER STEERING

## Z90DPN24200-32S-BM/82PN33.92



电机基本性能参数表 Motor Basic Parameter Table

型号 Type	Z90DP24200-32S-BM	齿轮箱与电机输出轴旋向 Gearbox direction	相同 Same as motor
额定电压 Rated voltage	24V DC	轴承型式 Bearing type	滚动轴承 Ball bearing
额定功率 Rated power	200W	齿轮箱结构 Gearbox structure	一体式 Integrated
额定电流 Rated current	13A ± 10%	传动效率 Efficiency	81%
额定转速 Rated speed	3200rpm ± 10%	整机额定输出扭矩 Gearbox rated torque	16.4N.m
额定力矩 Rated torque	0.597N.m	瞬间最大允许扭矩 Gearbox max torque	1.5倍于额定 1.5 x rated
空载电流 Noload current	≤ 3.5A	使用环境温度 Ambient temperature	-10°C ~ +40°C
空载转速 Noload speed	3600rpm ± 10%	噪音 Noise	< 60dB(L=100cm)
工作制 Work duty	S2(10min)	电机接线图 Wire diagram	
绝缘电阻 Insulation resistance	> 20MΩ		
电刷寿命 Brush life	2000h		
电气强度 Electrical strength	660V/S		
绝缘等级 Insulation class	B		
防护等级 Protection grade	IP20		
齿轮箱规格 Gearbox spec	82PN33.92K		
减速级数 Reduction stage	2		

电机基本性能参数表 Motor Basic Parameter Table

1	编码器 Encoder	ZDDC-BM0-005	编码器64位 64-bit encoder
2	整机 Machine	Z90DPN24200-32S/82ZPN33.92K-0WZ-00100	-

## 技术要求 Technical Requirement

- 电机基本参数如图纸中的铭牌数据；  
Motor basic parameters are as nameplate in drawing shows;
- 红色引线接正和黑色引接负，从轴的伸出端看电机顺时针转，引线位置对调，电机的转向相反；The red lead is connected to the positive and the black lead is connected to the negative. Seen from the brake installation end, the drive wheel turns clockwise. When the lead position is reversed, the drive wheel turns in the opposite direction;
- 电刷工作寿命为2000个小时；The working life of the brush is 2000 hours;
- 引出线长度：500mm ± 20，型号：UL1015，规格：AWG14、铭牌粘贴。如图所示，距离前端盖20mm处；  
Lead wire lengt: 1350mm ± 20, model: UI1015, spec: AWG14, nameplate position is as the picture shows, 20mm from the front cover;
- 减速器配合螺钉要紧凑，固定前需涂抹螺纹防松胶；  
Screws of gearbox and motor should be firmly tightened and threaded glue should be appied before tightening;

- 电机配合用定位销和减速器表面配合用定位销均在光电机和整机装配测试完成之后；  
Insert dowel pin of motor and gearbox seperately after testing motor and machine;
- 64位编码器外购，中大自行安装。  
64-bit encoder purchased, installde by ZD itself.

## 64位编码器接线定义 64-bit Encoder Wiring Definition

序号 No.	颜色 Color	功能 Function
1	红色 Red	VCC+5V
2	黑色 Black	GND
3	蓝色 Blue	A相 Phase
4	黄色 Yellow	B相 Phase